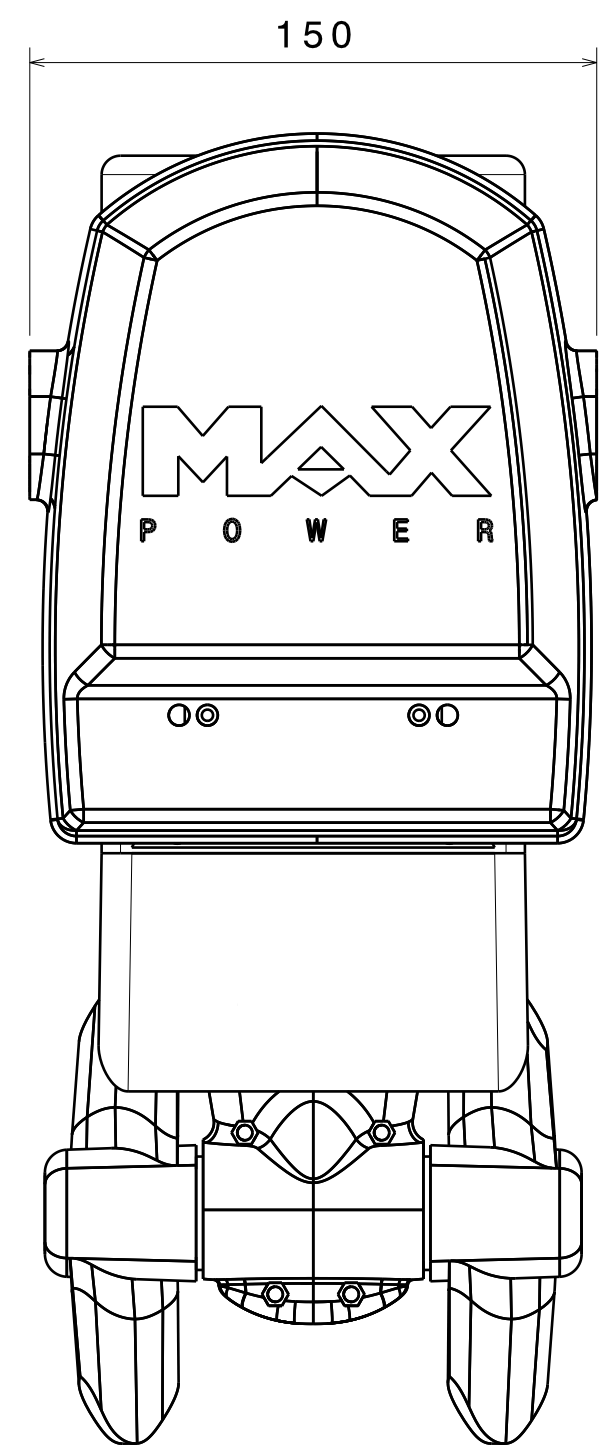
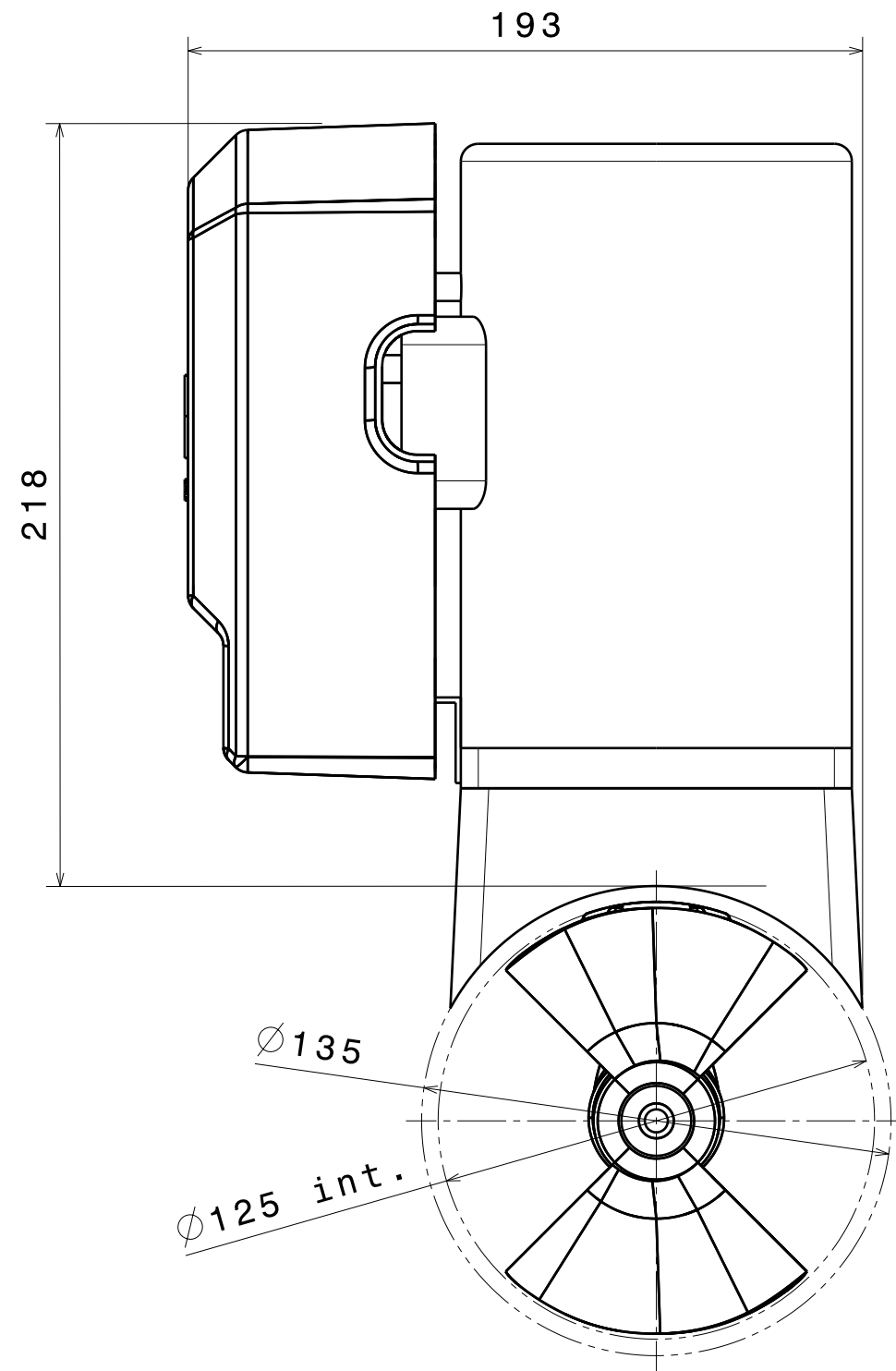


H G F E D C B A



EN CAS DE DOUTE, MERCI DE NOUS CONTACTER  
IN CASE OF DOUBT, PLEASE ASK

**NOTA :**  
 Dimensions exprimées en mm  
 Profondeur minimale d'immersion : un diamètre de turbine sous la ligne de flottaison  
 ! Attention aux modifications d'échelles lors de l'impression !

**NOTES :**  
 Dimensions in mm  
 Minimal immersion depth : one turbine diameter under the waterline  
 ! Be careful to scales modifications when printing !

This drawing is our property. It can't be reproduced or communicated without our written agreement.		<b>MAX POWER</b>			
DRAWN BY <b>PBE</b>		DATE		DRAWING TITLE 317603-CT45 GENERAL DIMENSIONS	
CHECKED BY <b>XXX</b>		DATE xxx		SIZE <b>A3</b>	DRAWING NUMBER <b>XXX</b>
DESIGNED BY <b>XXX</b>		DATE xxx		SCALE 1:2	WEIGHT (kg) 9.7
				SHEET	1/1

H G B A