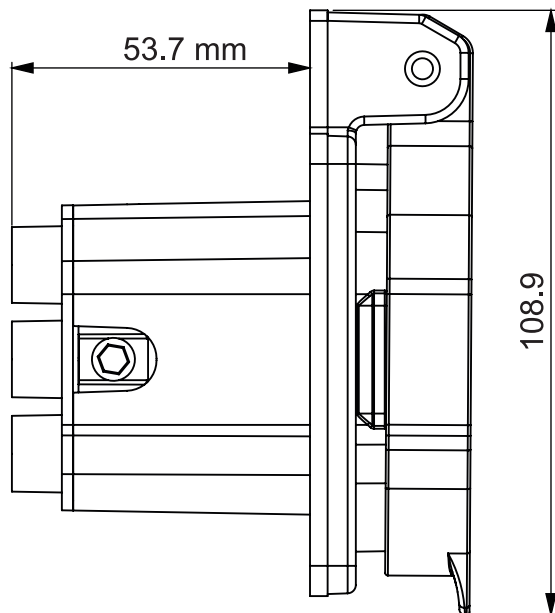
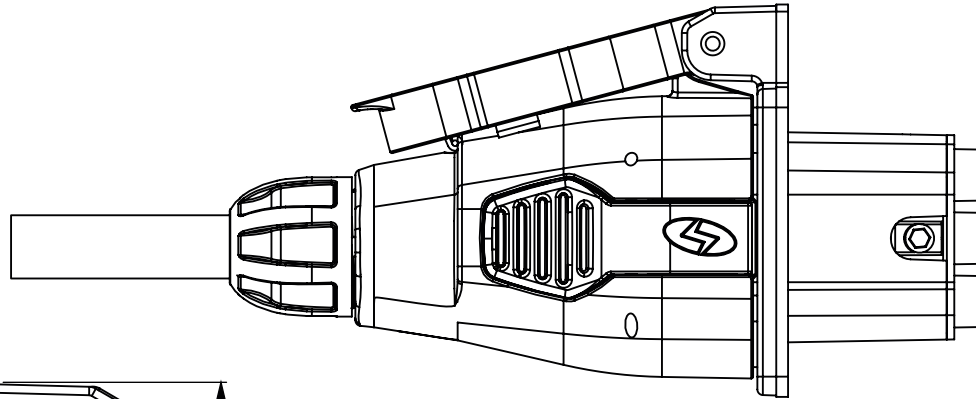
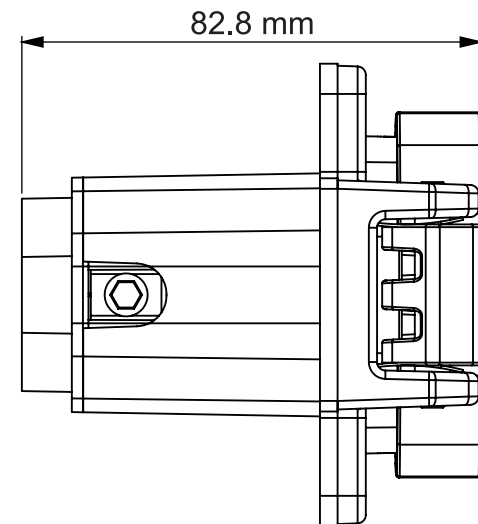




SmartPlug 32 Amp Inlet Dimension Details



Side View

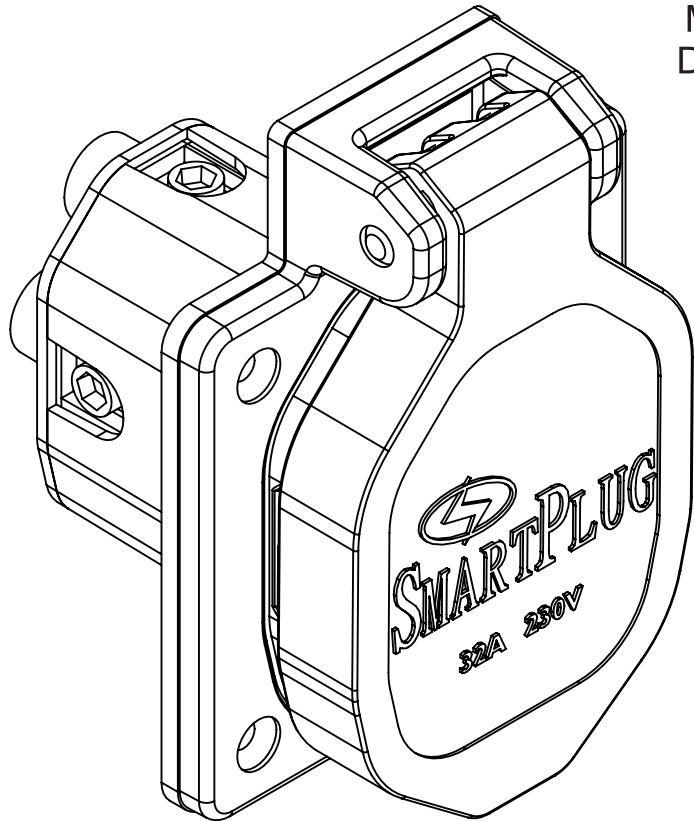


Top View

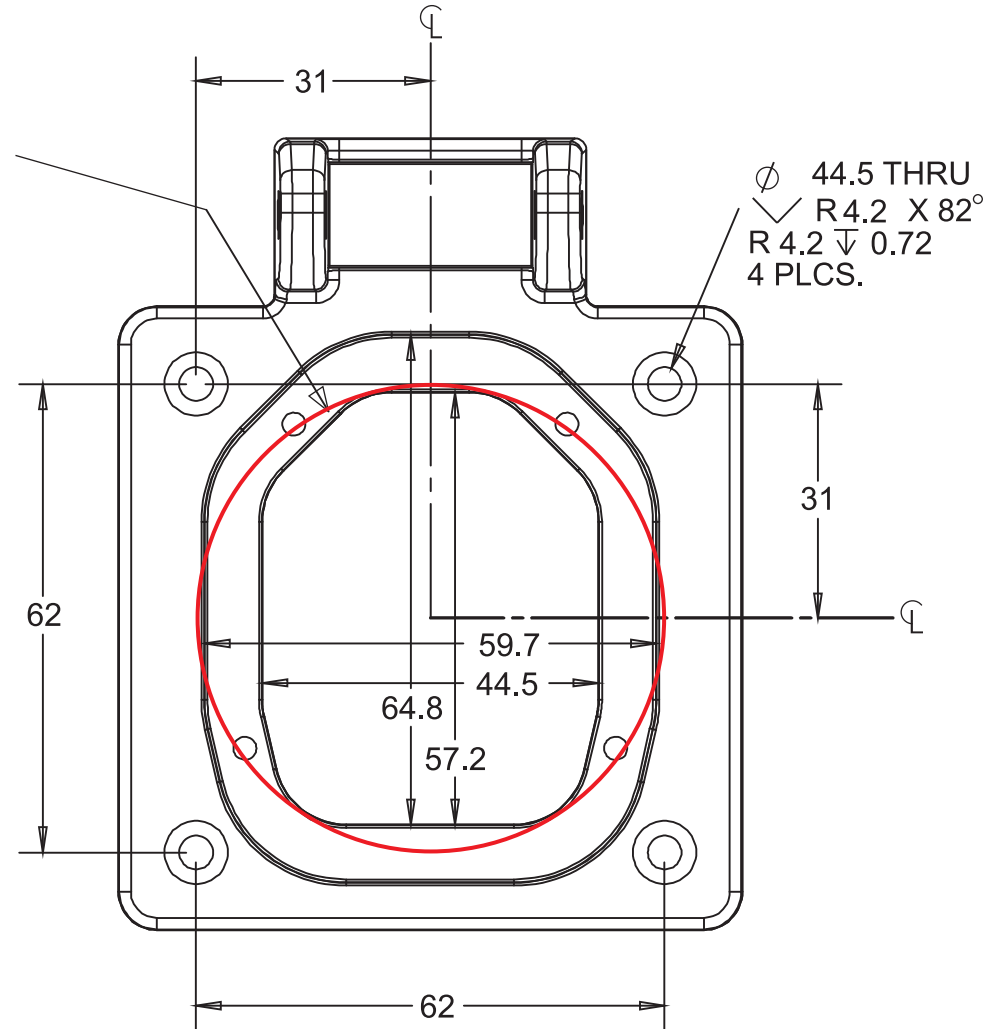
DRAWING NOT TO SCALE = DIMENSIONS ARE IN MILLIMETERS



SmartPlug Inlet Mounting Hole Template - 16 & 32 Amp



Minimum Hole
Diameter 61.72



DRAWING NOT TO SCALE = DIMENSIONS ARE IN MILLIMETERS