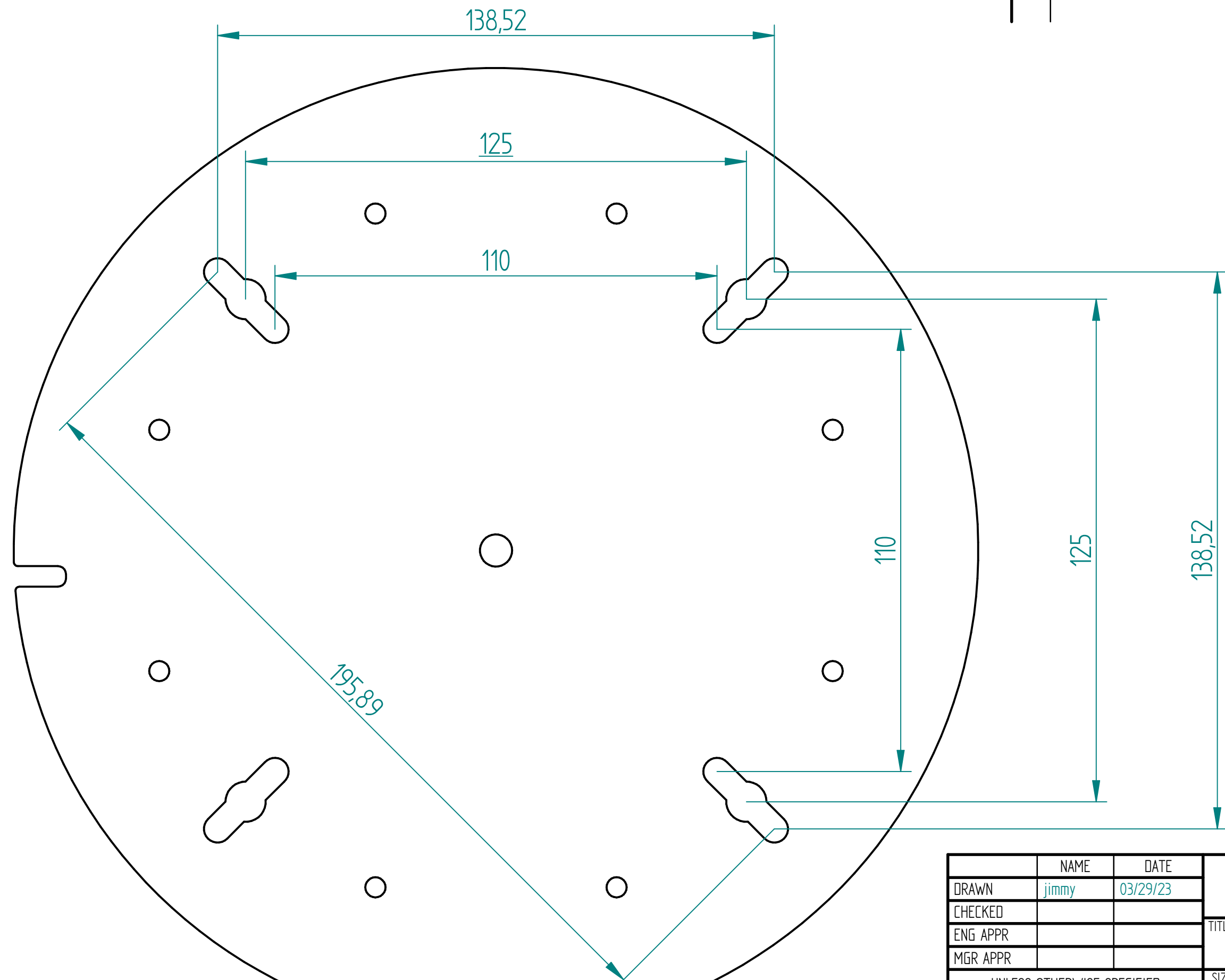


REVISION HISTORY

REV	DESCRIPTION	DATE	APPROVED



	NAME	DATE	Solid Edge		
DRAWN	jimmy	03/29/23			
CHECKED					
ENG APPR					
MGR APPR			TITLE		
UNLESS OTHERWISE SPECIFIED DIMENSIONS ARE IN MILLIMETERS ANGLES ±X.X° 2 PL ±X.XX 3 PL ±X.XXX			SIZE	DWG NO	REV
			A3		
			FILE NAME: ritning_stols_infästnings_platta.dft		
SCALE:		WEIGHT:	SHEET 1 OF 1		