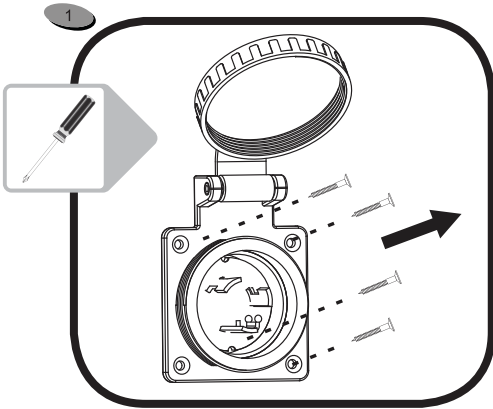
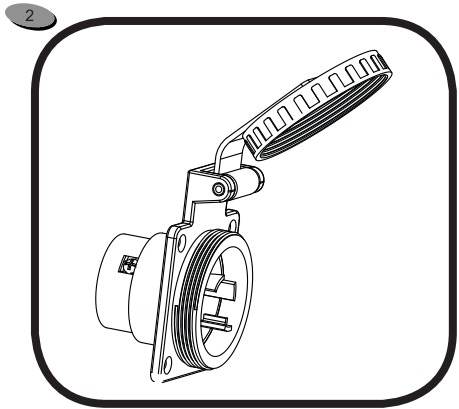


- #2 Phillips Screwdriver
- Stripping Pliers
- Utility Knife

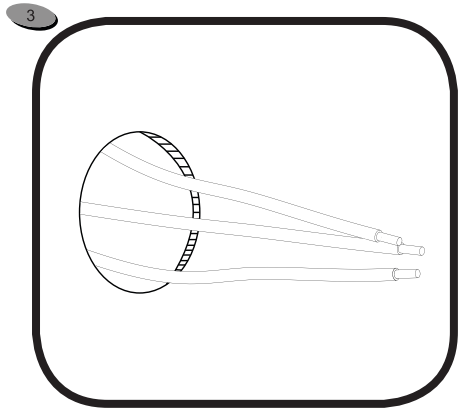
Tools Needed



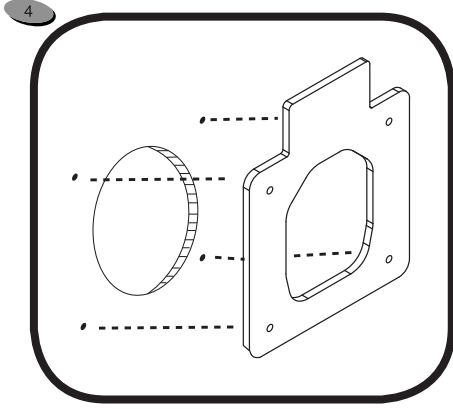
CAUTION: Before loosening screws, verify all power is off or disconnected.
Remove old inlet's four mounting screws and remove the inlet from the boat. If the old inlet has a rear safety enclosure, loosen the strain relief clamp and remove.



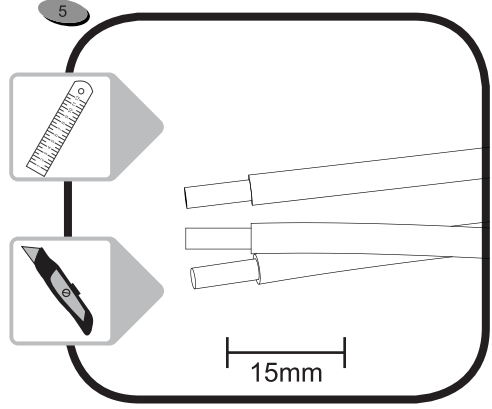
Loosen the screws on the side to disconnect the inlet from the boat's internal wiring and remove the old inlet and gasket. Clean all residue and debris from mounting location.



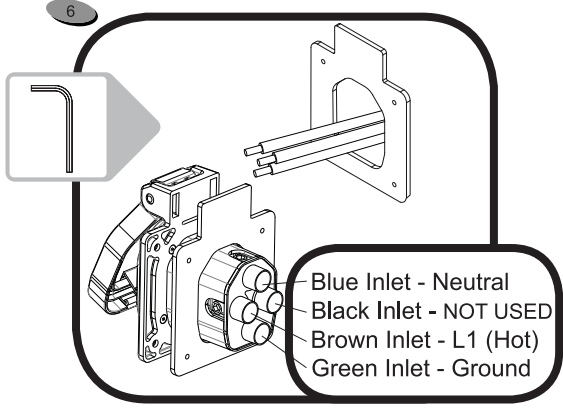
Examine the boat's internal wiring. Make sure the wire is in good condition, a clean and bright copper color. If necessary, cut back until clean wire is found.



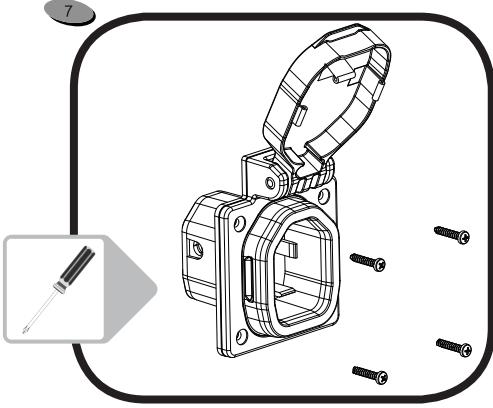
Test your new SmartPlug for proper fit and alignment of screw holes. Check your existing mounting hardware to see if it fits through the holes on your new stainless inlet. (On some installations, you may have to modify the holes in your boat to accept the new inlet.) Please use the enclosed rear mounting gasket as template if necessary.



Strip the wire insulation back 15mm. Do not solder the ends of the wire. Place the rear mounting gasket included in the packaging on to the back of the inlet.

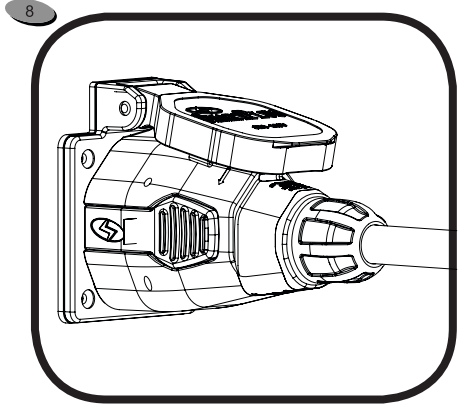


Back off the wire terminal set screws on the back of the inlet housing. To allow plenty of clearance, twist bare copper wires into a tight and straight formation. Insert the bare wires into the corresponding color-coded terminal inlets. Fully insert wires. Tighten the set screws after each wire is inserted. Use the hex key and tighten all set screws to 0.1373 N-m. Make certain there are no stray copper strands.



Reposition the new SmartPlug inlet in the boat and mount with the four #10 screws.

For questions, comments or concerns please call 206-285-2990 or email at info@smartplugsystems.com



After the SmartPlug connector is properly installed on your old cord, insert connector into the inlet and press down on the inlet door to snap lock into place.

Materials Included

- A. Rear Mounting Gasket (1)
- B. SmartPlug Inlet (1)
- C. Hex Key (1)