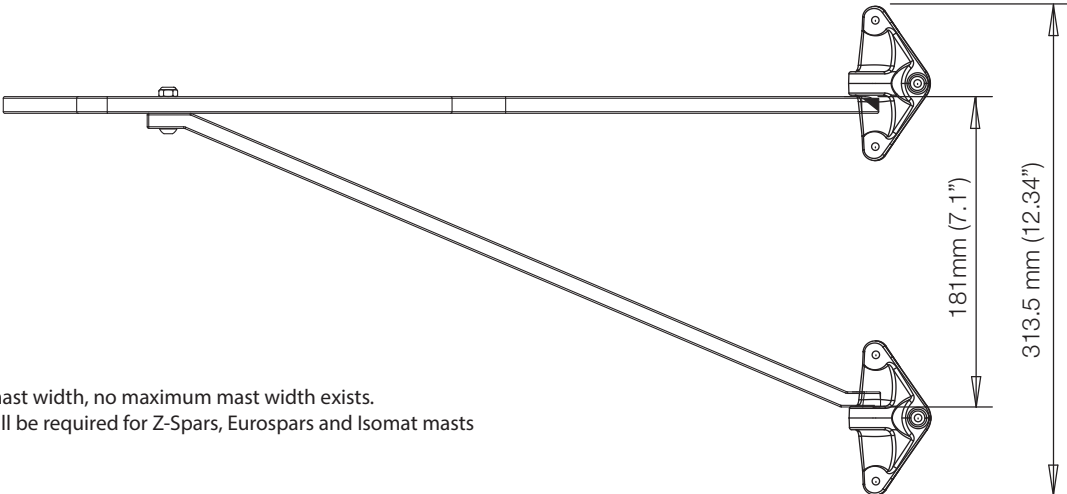
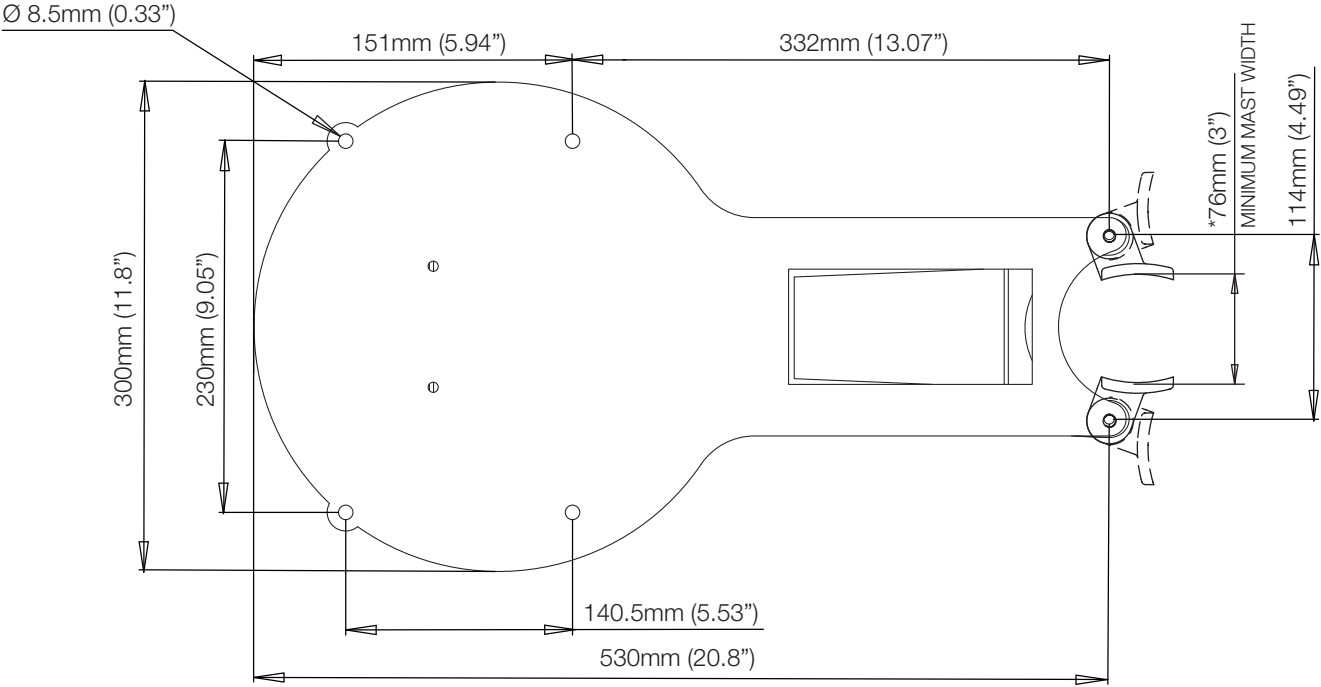


M92698 Mast Mount Fixing Dimensions



* indicates minimum mast width, no maximum mast width exists.
 ** 50100 Adapter kit will be required for Z-Spars, Eurospars and Isomat masts

