



# Nuova Rade

Marine - Plastics Technology Experts

## Installation Instructions for Euro Hatches

Code: 47079, 44445, 195254, 195256

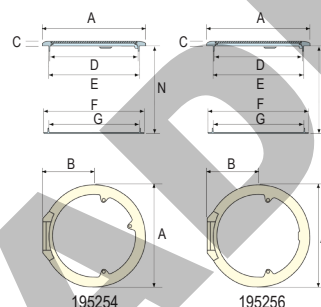
In order to install the Nuova Rade EURO Hatches, please follow the procedure described below.



Picture 1

**Frame A**  
(to be installed on the **outside**)

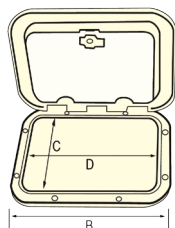
**Frame B**  
(to be installed on the **inside**)



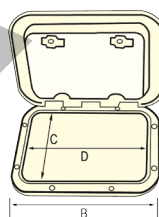
**EURO Ø38 - Ø59 Escape Hatches**  
ASA - UV resistant

Code	A (mm)	B (mm)	C (mm)	D (mm)	E (mm)	F (mm)	G (mm)	N (mm)
195256	378	189	26	290	303	362	309	22.5-52.5
195254	590	294.5	27	506	518	574	521	22.5-52.5

Plexiglas Thickness: 8mm



**Euro 1 (45x27 cm)**  
ASA - UV resistant



**Euro 2 (48x48 cm)**  
ASA - UV resistant

Code	A (mm)	B (mm)	C (mm)	D (mm)	H (mm)	I (mm)	P (mm)	Q (mm)
47079	268	448	196	376	209	389	25-55	22

Plexiglas Thickness: 8mm

Code	A (mm)	B (mm)	C (mm)	D (mm)	H (mm)	I (mm)	P (mm)	Q (mm)
44445	480	480	415	415	430	430	25-55	22

Plexiglas Thickness: 8mm

- Make sure the area (seen as the pictures ahead depending on the relevant EURO hatch) where the hatch will be installed, is flat and its thickness is between 25-55mm for the rectangular EURO hatches and 22.5-52.5mm for the circular ones.
- Cut the relevant opening (following the outline of the frames).
- Mark the drilling points around the opening, according to the holes on the rim of frame A (defined in picture 1).
- The drill holes are Ø5 mm for all the Euro Hatches.
- Drill the holes and apply silicon.
- Attach frame B (defined in picture 1) to the inner rim of the opening as shown in picture 2.
- Apply silicon and fasten frame A to the outer rim of the opening, as shown in picture 2.
- Check for leakage and apply sealing if needed.

Picture 2

