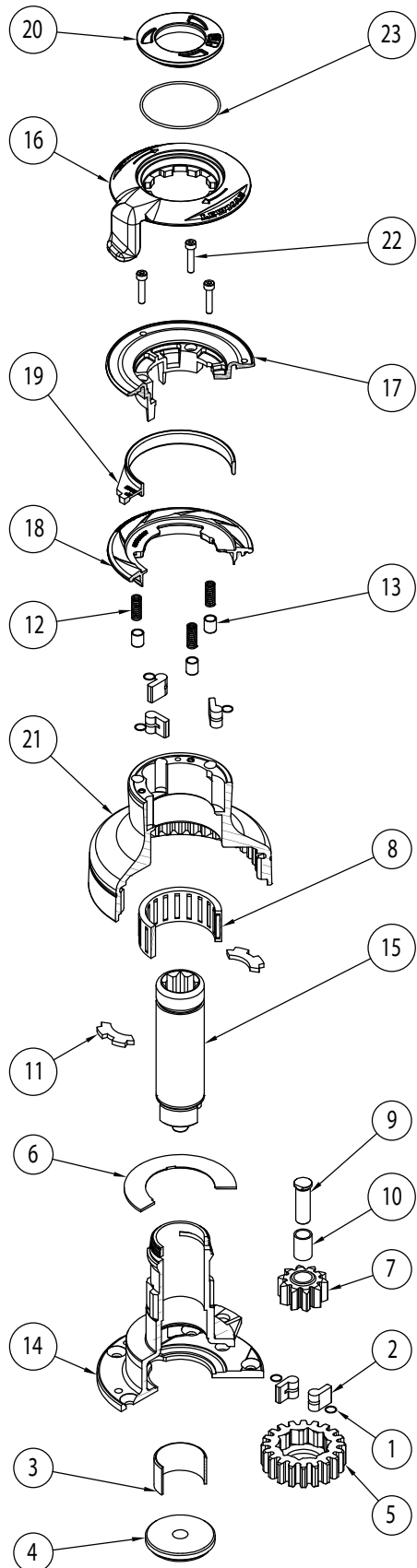


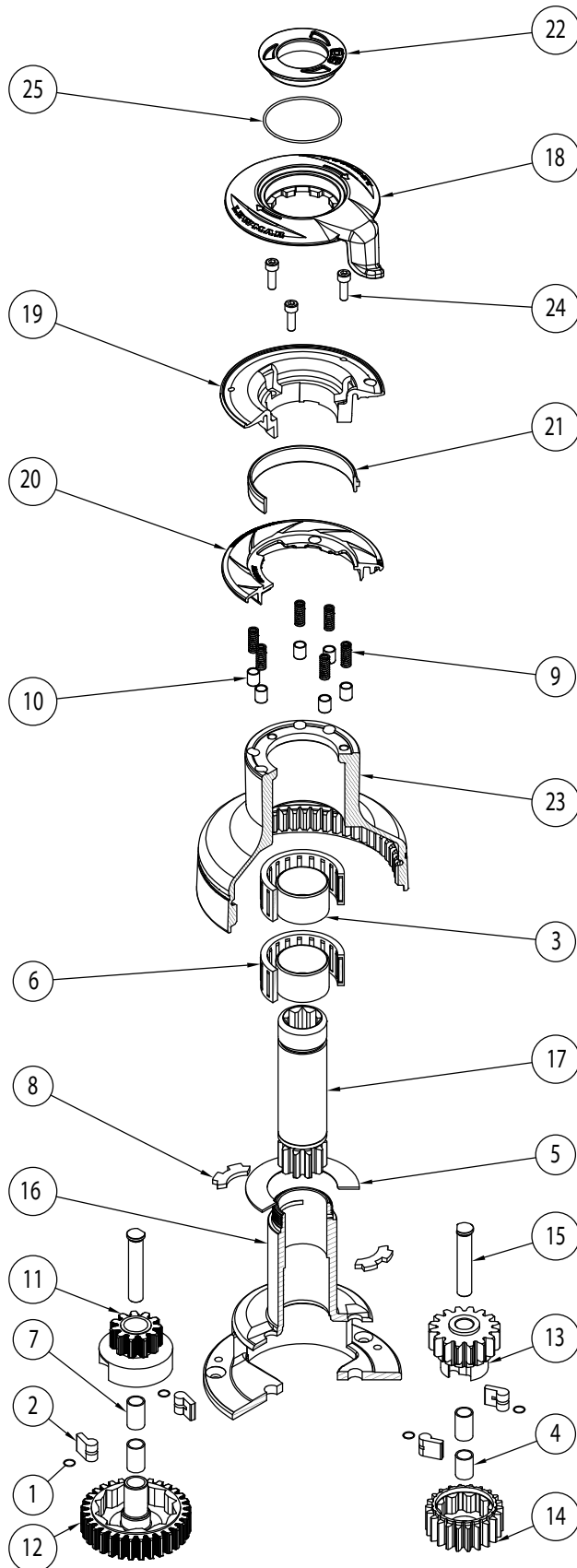
I5ST EVO® Winch spares



ITEM	PART NO	DESCRIPTION	QTY	KIT NO
1	1260/7	PAWL SPRING	5	48000014
2	1260/8	PAWL SMALL	5	48000014
3	15000377	BEARING SLEEVE	1	48000014
4	15000461	GEAR RETAINER	1	48300060
5	15000464	RATCHET GEAR	1	15000464
6	15000466	DRUM WASHER	1	48000454
7	15000827	IDLER GEAR	1	15000827
8	15008007	NEEDLE BEARING	1	48000454
9	45000023	GEAR SPINDLE	1	45000023
10	45000033	GEAR SPINDLE SLEEVE	1	48300060
11	45000102	COLLET	2	48000446
12	45000112	SPRING	3	48500016
13	45000113	SPRING CUP	3	48500016
14	48515017	CENTRE STEM	1	CONTACT DEALER
15	45500004	MAIN SPINDLE	1	CONTACT DEALER
16	45500005	FEEDER ARM	1	48500005
17	45500006	UPPER CROWN	1	48500016
18	45500007	LOWER CROWN	1	48500016
19	45500008	STRIPPER RING	1	48500016
20	45500009	TOP CAP	1	48500015
21	455000**	DRUM	1	CONTACT DEALER
22	M4X20LNG SKT HD CAP SCREW A2		3	48500016
23	B12988	O RING 50 X 1.5	1	48500015

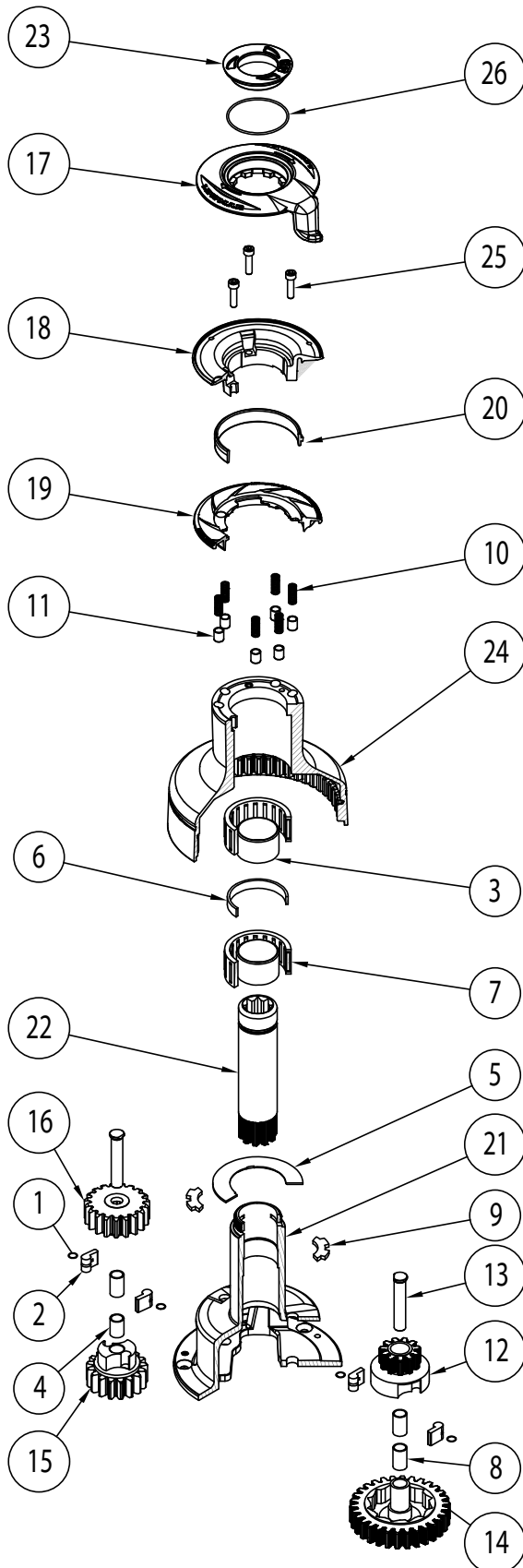
Winch

30ST EVO® Winch spares



ITEM	PART NO	DESCRIPTION	QTY	KIT NO
1	1260/7	PAWL SPRING	4	48000019
2	1260/8	PAWL SMALL	4	48000019
3	15000377	BEARING SLEEVE	2	48000019
4	15000378	GEAR SPINDLE SLEEVE	1	48000465
5	15000466	DRUM WASHER	1	48000455
6	15008007	NEEDLE BEARING	2	48000455
7	45000029	GEAR SPINDLE SLEEVE	3	48000465
8	45000102	COLLET	2	48000446
9	45000112	SPRING	6	48500031
10	45000113	SPRING CUP	6	48500031
11	45000119	PAWL GEAR	1	48000465
12	45000120	RATCHET GEAR	1	45000120
13	45000121	PAWL GEAR	1	48000465
14	45000122	RATCHET GEAR	1	48000465
15	45000123	GEAR SPINDLE	2	48300027
16	48530017	CENTRE STEM	1	48530017
17	45500104	MAIN SPINDLE	1	45500104
18	45500105	FEEDER ARM	1	48500105
19	45500106	UPPER CROWN	1	48500031
20	45500107	LOWER CROWN	1	48500031
21	45500108	STRIPPER RING	1	48500031
22	45500109	TOP CAP	1	48500030
23	455001**	DRUM	1	CONTACT DEALER
24		M5X16 SKT HD CAP SCREW A2	3	48500031
25	B12987	O-RING 48X1.5	1	48500030

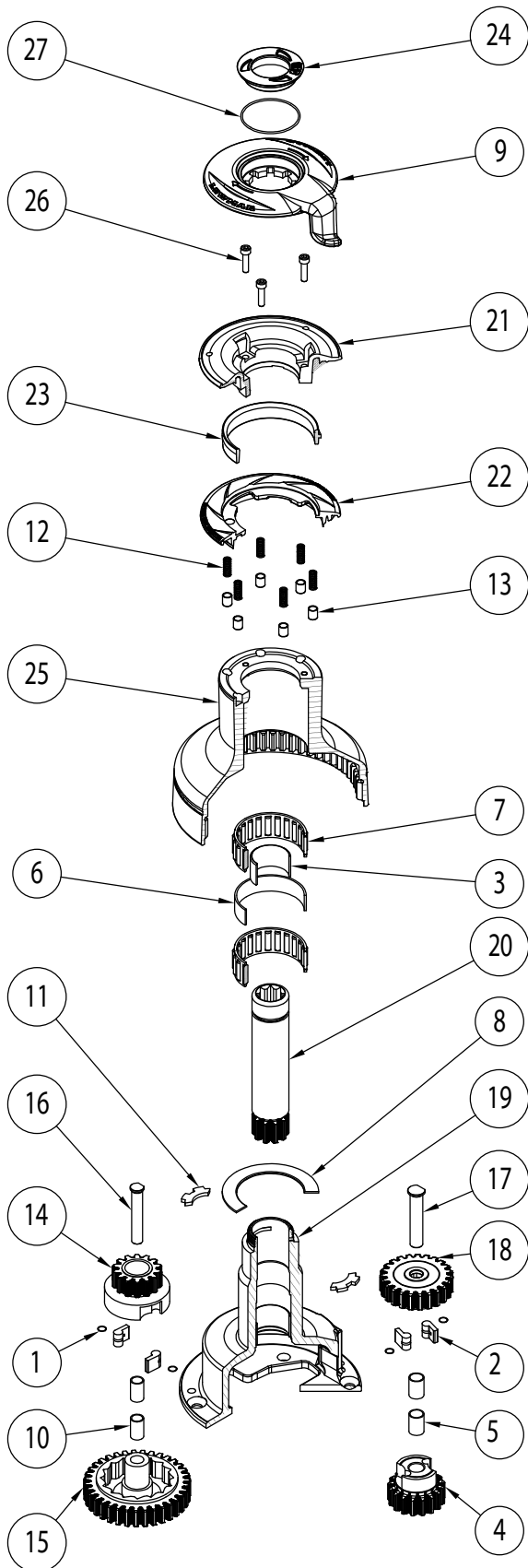
40ST EVO® Winch spares



ITEM	PART NO	DESCRIPTION	QTY	KIT NO
1	1260/7	PAWL SPRING	4	48000019
2	1260/8	PAWL SMALL	4	48000019
3	15000377	BEARING SLEEVE	2	48000019
4	15000378	GEAR SPINDLE SLEEVE	1	48000467
5	15000466	DRUM WASHER	1	48000456
6	15000491	BEARING SPACER	1	48000456
7	15008007	NEEDLE BEARING	2	48000456
8	45000029	GEAR SPINDLE SLEEVE	3	48000464
9	45000102	COLLET	2	48000446
10	45000112	SPRING	6	48500031
11	45000113	SPRING CUP	6	48500031
12	45000119	PAWL GEAR	1	48000464
13	45000123	GEAR SPINDLE	2	48300027
14	45000220	RATCHET GEAR	1	48300029
15	45000221	PAWL GEAR	1	48000467
16	45000222	RATCHET GEAR	1	45000222
17	45500105	FEEDER ARM	1	48500105
18	45500106	UPPER CROWN	1	48500031
19	45500107	LOWER CROWN	1	48500031
20	45500108	STRIPPER RING	1	48500031
21	48540017	CENTRE STEM	1	48540017
22	45500204	MAIN SPINDLE	1	45500204
23	45500209	TOP CAP	1	48500040
24	455002**	DRUM	1	CONTACT DEALER
25		M5X20 SKT HD CAP SCREW A2	3	48500031
26	B12987	O-RING 48X1.5	1	48500040

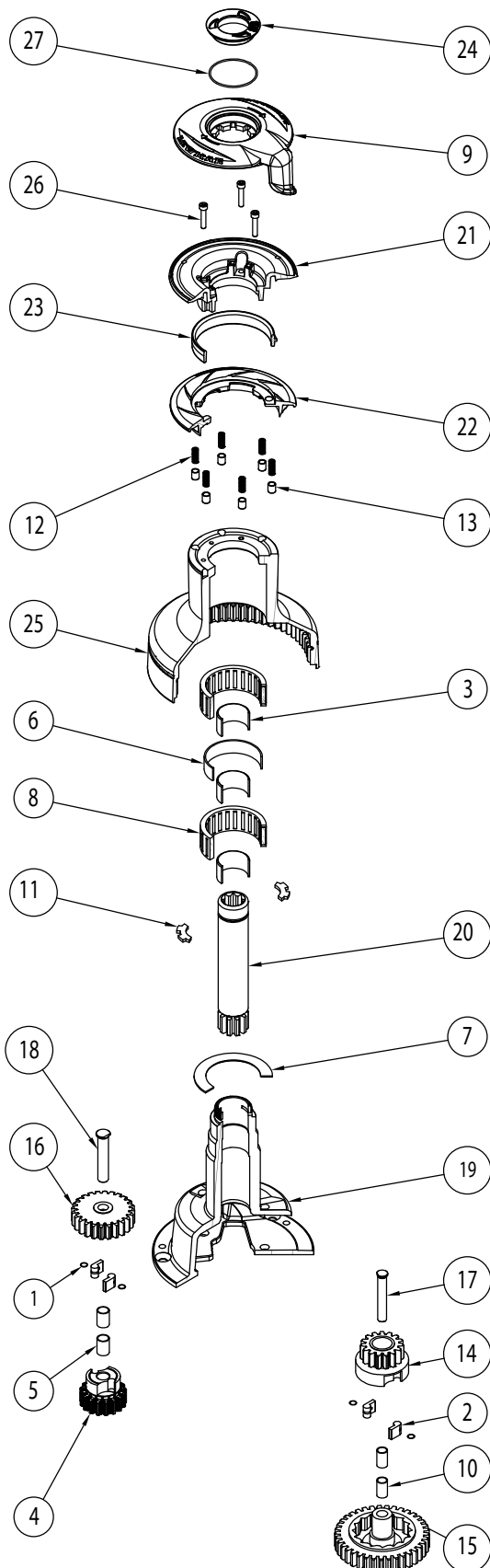
Winch

45ST EVO® Winch spares



ITEM	PART NO	DESCRIPTION	QTY	KIT NO
1	1260/7	PAWL SPRING	4	48000019
2	1260/8	PAWL SMALL	4	48000019
3	15000377	BEARING SLEEVE	2	48000019
4	15000397	PAWL GEAR	1	48000468
5	15000398	SPINDLE SLEEVE	2	48000468
6	15000404	SPACER	1	48000457
7	15010007	ROLLER BEARING	2	48000457
8	15044116	DRUM WASHER	1	48000457
9	43500305	FEEDER ARM	1	48500305
10	45000029	GEAR SPINDLE SLEEVE	2	48000469
11	45000102	COLLET	2	48000446
12	45000112	SPRING	6	48500046
13	45000113	SPRING CUP	6	48500046
14	45000319	PAWL GEAR	1	48000469
15	45000320	RATCHET GEAR	1	48300036
16	45000323	GEAR SPINDLE	1	45000323
17	45000324	GEAR SPINDLE	1	45000324
18	45000333	RATCHET GEAR	1	45000333
19	48545017	CENTRE STEM	1	48545017
20	45500304	MAIN SPINDLE	1	45500304
21	45500306	UPPER CROWN	1	48500046
22	45500307	LOWER CROWN	1	48500046
23	45500308	STRIPPER RING	1	48500046
24	45500309	TOP CAP	1	48500045
25	455003**	DRUM	1	CONTACT DEALER
26		M5X20 SKT HD CAP SCREW A2	3	48500046
27	B12987	O-RING 48X1.5	1	48500045

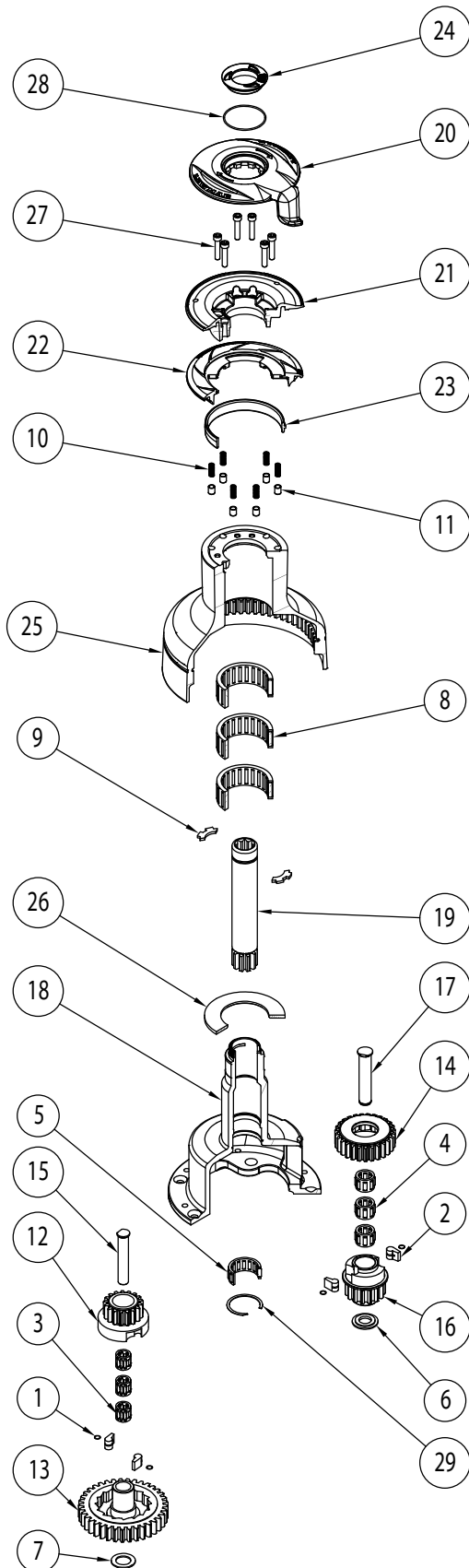
50ST EVO® Winch spares



ITEM	PART NO	DESCRIPTION	QTY	KIT NO
1	1260/7	PAWL SPRING	4	48000019
2	1260/8	PAWL SMALL	4	48000019
3	15000377	BEARING SLEEVE	3	48000019
4	15000397	PAWL GEAR	1	48000468
5	15000398	SPINDLE SLEEVE	2	48000468
6	15000404	SPACER	1	48000458
7	15044116	DRUM WASHER	1	48000458
8	15044121	ROLLER BEARING	2	48000458
9	43500405	FEEDER ARM	1	48500405
10	45000029	GEAR SPINDLE SLEEVE	2	48000470
11	45000102	COLLET	2	48000446
12	45000112	SPRING	6	48500051
13	45000113	SPRING CUP	6	48500051
14	45000419	PAWL GEAR	1	48000470
15	45000420	RATCHET GEAR	1	48300043
16	45000422	RATCHET GEAR	1	45000422
17	45000423	GEAR SPINDLE	1	45000423
18	45000424	GEAR SPINDLE	1	45000424
19	48500017	CENTRE STEM	1	48500017
20	45500404	MAIN SPINDLE	1	45500404
21	45500406	UPPER CROWN	1	48500051
22	45500407	LOWER CROWN	1	48500051
23	45500408	STRIPPER RING	1	48500051
24	45500409	TOP CAP	1	48500050
25	455004**	DRUM	1	CONTACT DEALER
26		M5X20 SKT HD CAP SCREW A2	3	48500051
27	B12987	O-RING 48X1.5	1	48500050

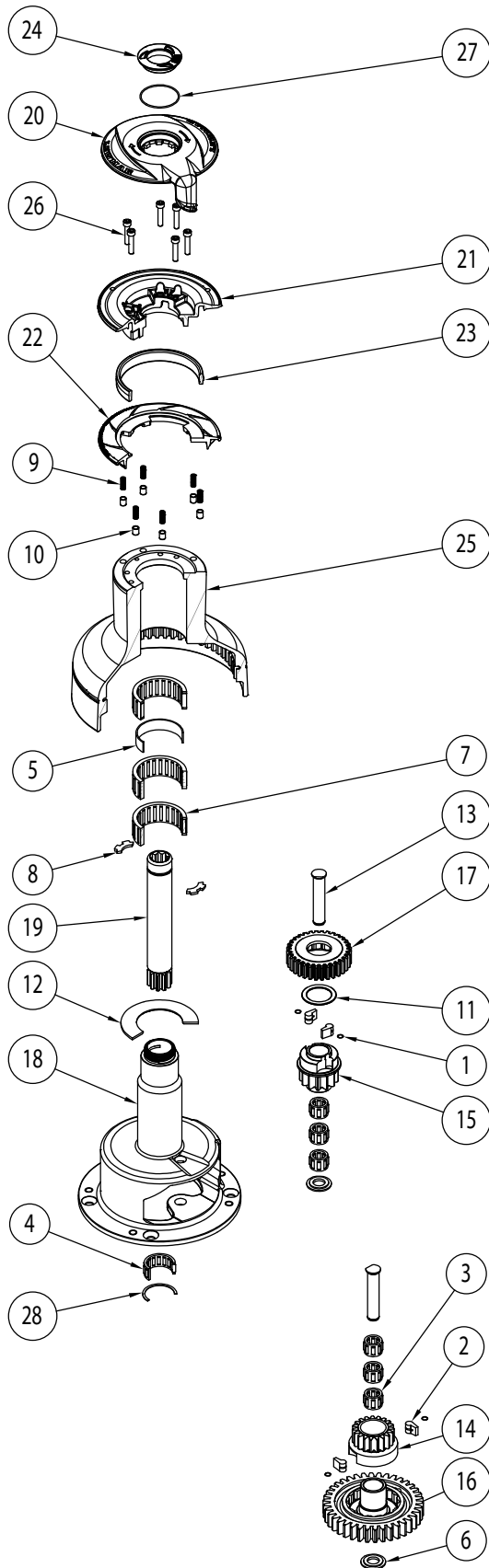
Winch

55ST EVO® Winch spares



ITEM	PART NO	DESCRIPTION	QTY	KIT NO
1	1260/7	PAWL SPRING	4	48000017
2	1264/8	PAWL	4	48000017
3	1300-SA2	BEARING ASSY	3	48000017
4	15000017	ROLLER BEARING	3	48000473
5	15000019	ROLLER BEARING	1	48000019
6	15000646	WASHER	1	48000473
7	15000981	WASHER	1	48000017
8	15044121	ROLLER BEARING	3	48000460
9	45000102	COLLET	2	48000446
10	45000112	SPRING	6	48500056
11	45000113	SPRING CUP	6	48500056
12	45000519	PAWL GEAR	1	48000472
13	45000520	RATCHET GEAR	1	45000520
14	45000522	RATCHET GEAR	1	45000522
15	45000523	GEAR SPINDLE	1	45000523
16	45000621	PAWL GEAR	1	48000473
17	45000624	GEAR SPINDLE	1	45000624
18	48555017	CENTRE STEM	1	48555017
19	45500504	MAIN SPINDLE	1	45500504
20	45500505	FEEDER ARM	1	48500405
21	45500506	UPPER CROWN	1	48500056
22	45500507	LOWER CROWN	1	48500056
23	45500508	STRIPPER RING	1	48500056
24	45500509	TOP CAP	1	48500055
25	455005**	DRUM	1	CONTACT DEALER
26	45500513	DRUM WASHER	1	48000460
27		SKT HD CAP SCREW M6X30	6	48500056
28	B12988	O RING 50X1.5	1	48500055
29	B2092	CIRCLIP	1	48000017

65ST EVO® Winch spares



ITEM	PART NO	DESCRIPTION	QTY	KIT NO
1	1260/7	PAWL SPRING	4	48000017
2	1264/8	PAWL	4	48000017
3	15000017	ROLLER BEARING	6	48000017
4	15000019	ROLLER BEARING	1	15000019
5	15000404	SPACER	1	48000017
6	15000646	WASHER	1	48000017
7	15044121	ROLLER BEARING	3	48000462
8	45000102	COLLET	2	48000446
9	45000112	SPRING	6	48500066
10	45000113	SPRING CUP	6	48500066
11	45000533	WASHER	1	48000476
12	45000534	DRUM WASHER	1	48000462
13	45000624	GEAR SPINDLE	2	45000624
14	45000719	PAWL GEAR	1	48000475
15	45000821	PAWL GEAR	1	48000476
16	45000851	RATCHET GEAR	1	45000851
17	45005183	RATCHET GEAR	1	48000476
18	48565017	CENTRE STEM	1	48565017
19	45500604	MAIN SPINDLE	1	45500604
20	45500605	FEEDER ARM	1	48500605
21	45500606	UPPER CROWN	1	48500066
22	45500607	LOWER CROWN	1	48500066
23	45500608	STRIPPER RING	1	48500066
24	45500609	TOP CAP	1	48500065
25	455006**	DRUM	1	CONTACT DEALER
26		SKT HD CAP SCREW M6X30	6	48500066
27	B12987	O RING 48X1.5	1	48500065
28	B2092	CIRCLIP	1	48000017