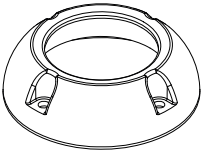
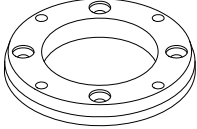
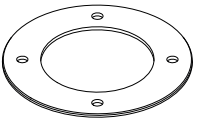
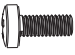
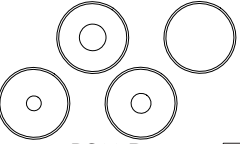








Parts List

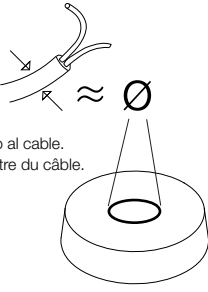
 Shell x1	 Base x1	 Gasket x1
 M4X10 Bolt - (Black*) x1	 DS30 Bungs x4	 DS40 Bungs x2
 No. 4X16 Self Tapping Screw x4		

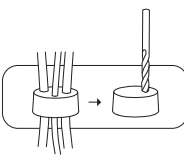
Tools Required


 Pozi screwdriver	 Silicone
 DS30 - ø30mm (1.18") DS40 - ø40mm (1.57") Hole Saw	 ø2.5mm (3/32") / ø3mm (1/8") Drill Bit

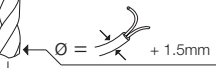
① Choose bung closest to cable ø.

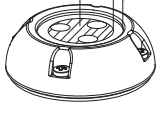
DE - Wähle Dichtung nahe dem Kabel ø.
 IT - Scegliere il passafili adatto al ø del cavo.
 ES - Elija el tapón con el diámetro más parecido al cable.
 FR - Choisissez le joint le plus proche du diamètre du câble.

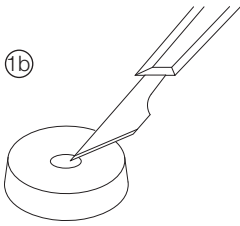


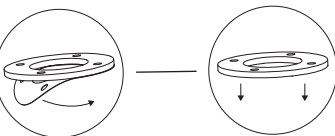
①a 


Tip: freeze before drilling
 -18° 

→ ø =  + 1.5mm

4mm (0.16") 

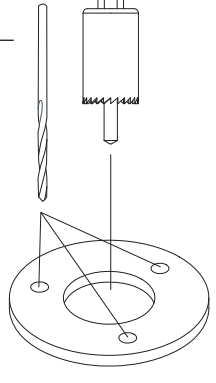
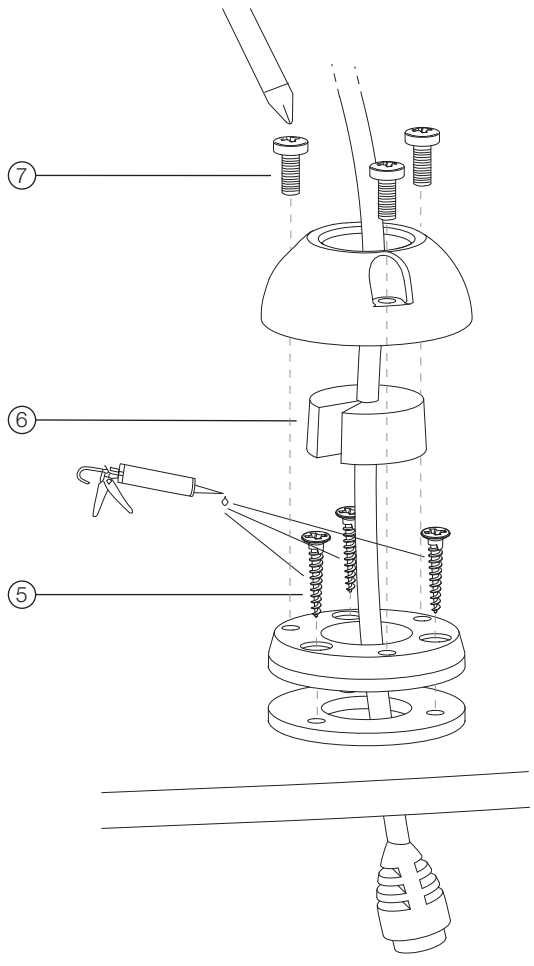
①b 


② 

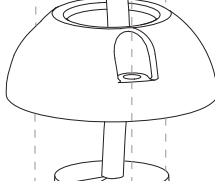
③ 30mm (1.18")
40mm (1.57") 


④ Suggested pilot holes:

Material	No. 6 Screw
Soft Material e.g. plywood	2.5mm (3/32")
Hard Material e.g. fiberglass, acrylic, hardwoods	3mm (1/8")

⑦ 

⑥ 

⑤ 

Share your installation with us.



UK & International
 +44 (0)1392 531280
 sales@scanstrut.com

For further installation
 and warranty information
 please visit:
 www.scanstrut.com

USA
 +1 860 308 1416
 usasales@scanstrut.com

