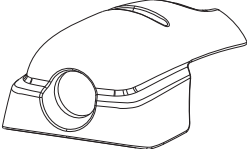
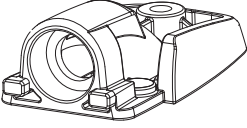
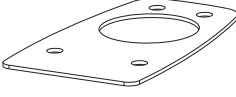
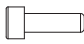



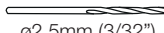




Parts List

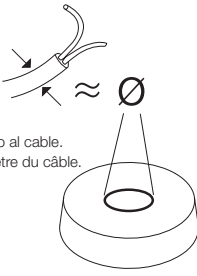
		
Shell x1	Base x1	Gasket x1
	Self Drill	6mm
M5X16 Bolt - (Black*) x1	7mm	8mm
	9mm	10mm
No. 4X16 self tapping screw x4	Bungs x6	

Tools Required


	
Pozi Screwdriver	Silicone
	
ø2.5mm (3/32") ø3mm (1/8") Drill Bit	ø25mm (1") Hole Saw/ Drill Bit
	
4mm (5/32") Allen Key	

① Choose bung closest to cable ø.

DE - Wähle Dichtung nahe dem Kabel ø.
IT - Scegliere il passafili adatto al ø del cavo.
ES - Elija el tapón con el diámetro más parecido al cable.
FR - Choisissez le joint le plus proche du diamètre du câble.



Tip: freeze before drilling

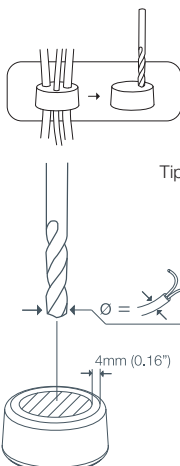
 -18°F

± 0.5mm

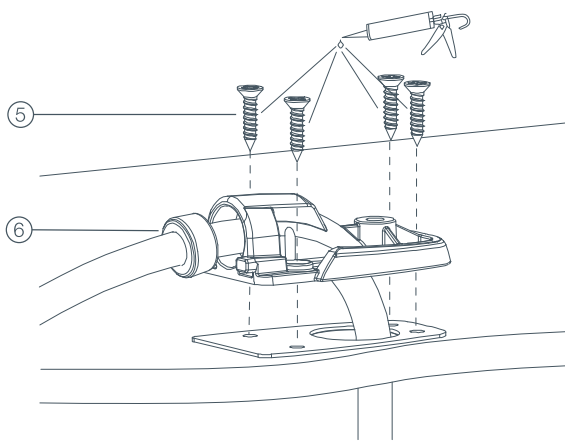
4mm (0.16")

ø MAX. 10mm (0.39")
ø MIN. 2mm (0.07")

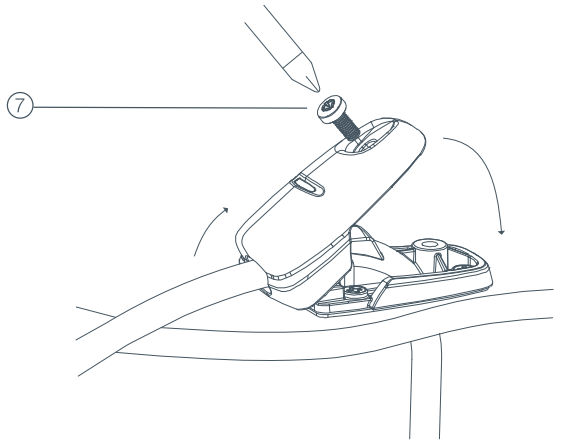
1a



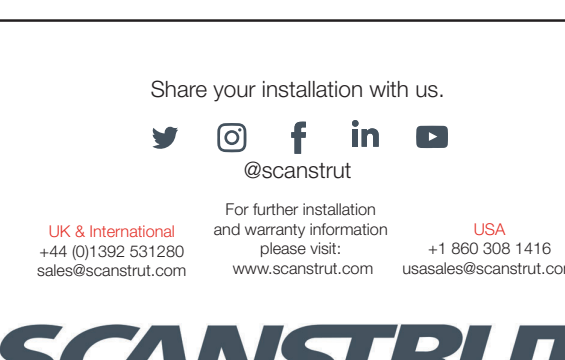
⑤



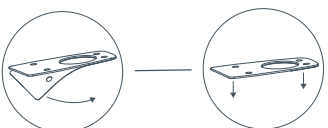
⑥



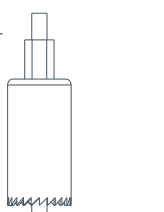
⑦



②



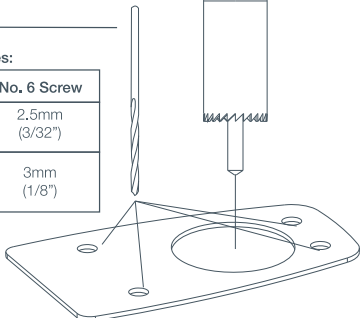
③ 25mm (1")



④

Suggested pilot holes:

Material	No. 6 Screw
Soft Material e.g. plywood	2.5mm (3/32")
Hard Material e.g. fiberglass, acrylic, hardwoods	3mm (1/8")



Share your installation with us.



UK & International
+44 (0)1392 531280
sales@scanstrut.com

For further installation
and warranty information
please visit:
www.scanstrut.com

USA
+1 860 308 1416
usasaes@scanstrut.com

SCANSTRUT®