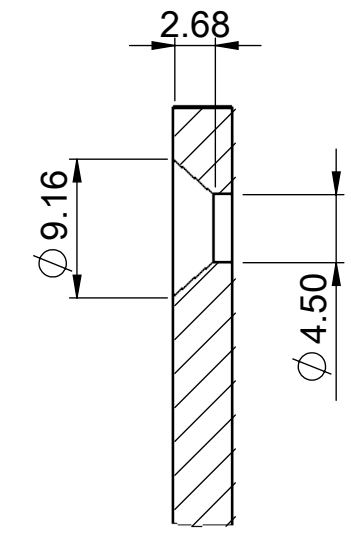
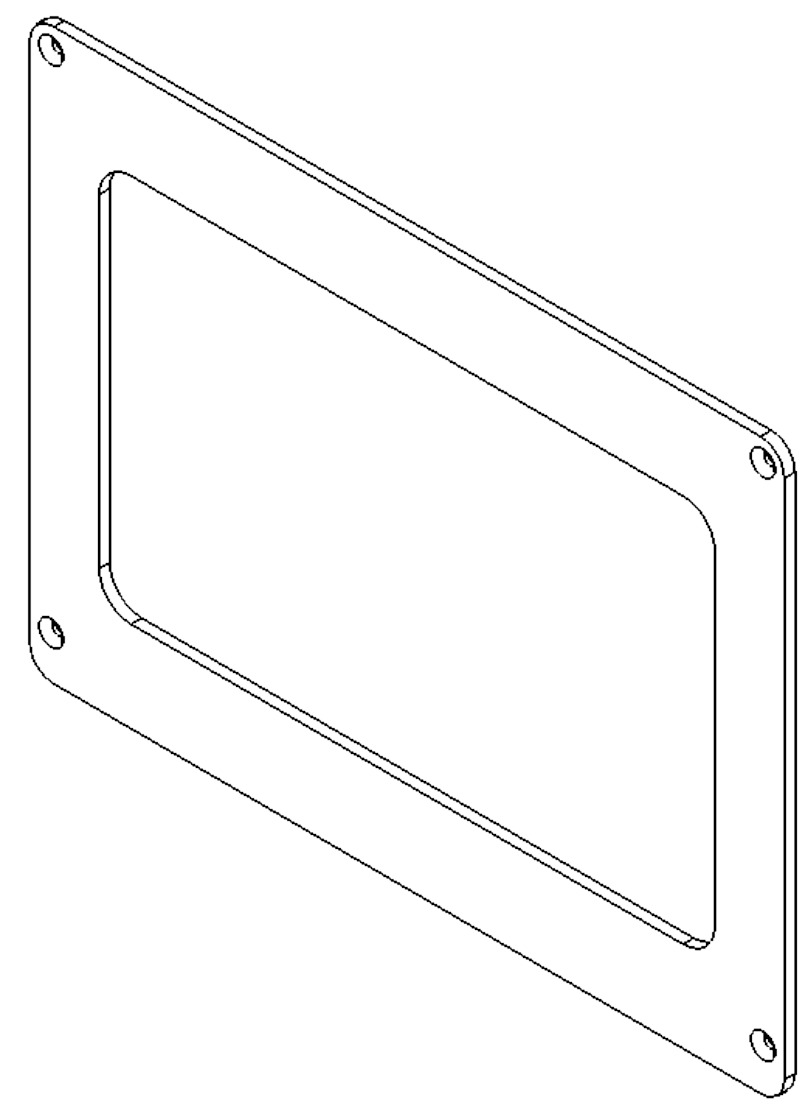


SECTION A-A

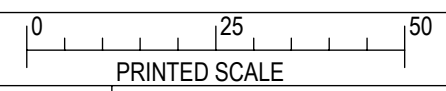


DETAIL B
 SCALE 2 : 1

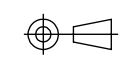


THE INFORMATION CONTAINED HEREIN SHALL NOT BE REPRODUCED WITHOUT THE PRIOR WRITTEN PERMISSION OF RAYMARINE LTD

NOTE:
 1. TO BE PRODUCED FROM A MATERIAL THAT IS SUITABLE FOR USE IN A MARINE ENVIRONMENT.



DRAWN TO BS308



DO NOT SCALE - IF IN DOUBT ASK

DRN: RS
 DIMENSIONS IN MM

DATE: 27/09/2017
 SCALE: 1:2

TITLE
 C80_Axiom 9 Adapter Plate

DRAWING No.
AP_C80_AX9