

701 CONTOUR BATTERY MASTER SWITCH



TO REMOVE KNOB

Rotate the knob to the off position, The knob is still locked to the switch.
Depress and continue to rotate anticlockwise until the stop is reached.
The knob can now be removed.

TO REPLACE KNOB

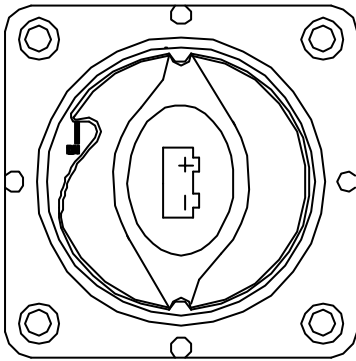
Place knob in the switch housing. Depress and turn clockwise 45° to the off position.

Note: The back and side panels are removable to allow access for cable and links.

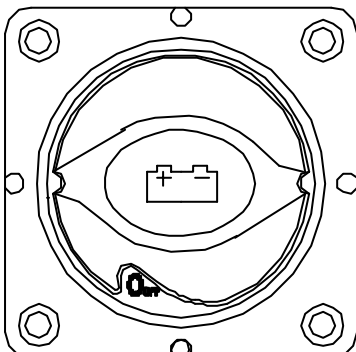
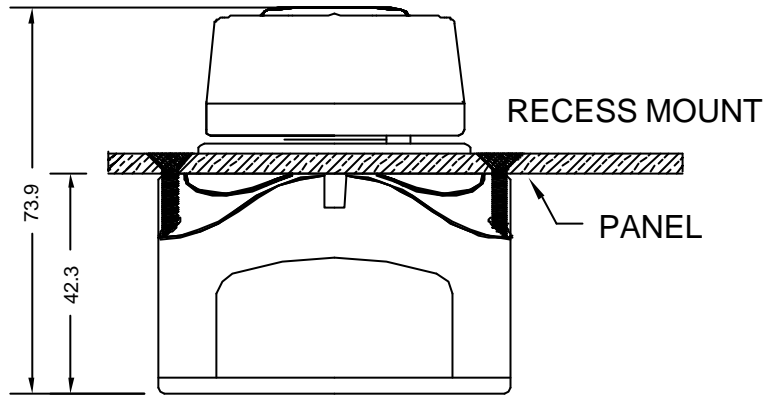
Two pegs are supplied for fastening to other 700 series products

NB// As this switch is rated for 1.8m (6ft) immersion no solvents or sealers are to be used.

A petroleum-based grease can be used on the lug-stud join.



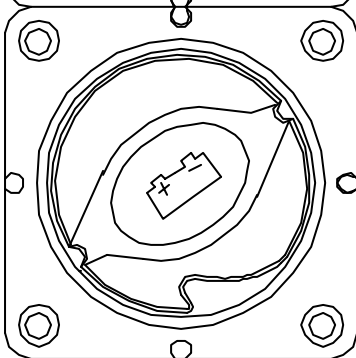
SWITCH IN ON POSITION



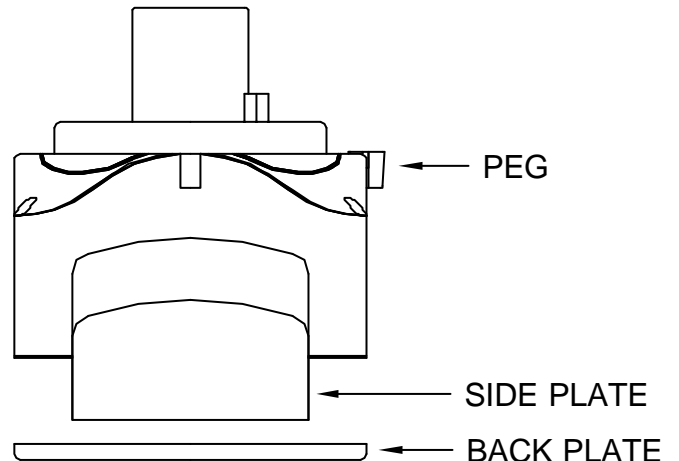
SWITCH IN OFF POSITION



← KNOB



← PEG



← SIDE PLATE

← BACK PLATE

SWITCH IN KNOB REMOVAL POSITION