



Dragonfly-4
Dragonfly-5
Dragonfly-6
Dragonfly-7
Wi-Fish™



Transducer connector changes and adaptor cables

English

Date: 04-2015

Document number: 82339-1-EN

© 2015 Raymarine UK Limited

3.1 Legacy and updated products

Current **Dragonfly-6**, **Dragonfly-7** displays and **CPT-60 / CPT-70 / CPT-80** transducer designs have been modified to include the improved 3 keyway connectors.


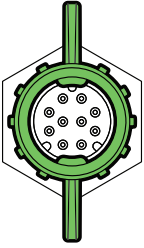
The table below identifies the effective manufacturing date for the improved keyway connectors.

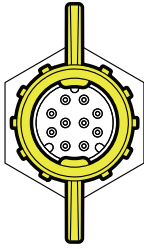
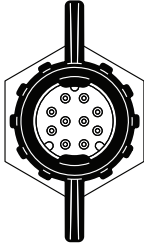
Product	3 keyway introduction date	3 keyway introduction serial number
Dragonfly-6 display	January 2015	E70085 0150001
Dragonfly-7 display	November 2014	E70231 1140712
CPT-60	December 2014	A80195 1240023
CPT-70	February 2015	TBC
CPT-80	February 2015	TBC

3.2 Connections overview

Dragonfly-4 / Dragonfly-5, Wi-Fish™ products and the **CPT-DV** and **CPT-DVS** include connectors with a 3 keyway guide. Depending on date of manufacture **Dragonfly-6, Dragonfly-7** products and **CPT-60/ CPT-70 / CPT-80** transducers are available with 1 keyway guide (Legacy) or 3 keyway guide (Updated). Adaptor cables can be used to connect 1 keyway connectors to 3 keyway connectors.

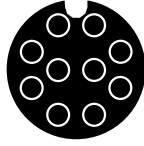
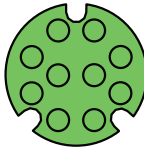
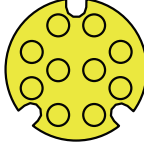
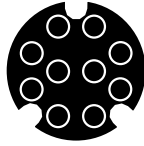
Rear connector / Locking collar

Connector	Description	Unit / Display	Compatible transducer
	Red – 1 keyway	<ul style="list-style-type: none"> Legacy Dragonfly-6 Legacy Dragonfly-7 	<ul style="list-style-type: none"> Legacy CPT-60 Legacy CPT-70 Legacy CPT-80
	Green – 3 keyway	<ul style="list-style-type: none"> DVS Pro Updated Dragonfly-6 Updated Dragonfly-7 	<ul style="list-style-type: none"> CPT-DVS Updated CPT-60 Updated CPT-70 Updated CPT-80

Connector	Description	Unit / Display	Compatible transducer
	Yellow – 3 keyway	<ul style="list-style-type: none"> • DV • Wi-Fish™ 	<ul style="list-style-type: none"> • CPT-DV
	Black – 3 keyway	<ul style="list-style-type: none"> • 5 M 	<ul style="list-style-type: none"> • N/A – 5 M power connector

Adaptor cable	Compatible transducer	Compatible display / unit
A80331 — CPT-DV / CPT-DVS (3 keyway) to Legacy Dragonfly-6 / Dragonfly-7 (1 keyway) adaptor cable	<ul style="list-style-type: none"> • CPT-DVS • CPT-DV • Updated CPT-60 • Updated CPT-70 • Updated CPT-80 	<ul style="list-style-type: none"> • Legacy Dragonfly-6 • Legacy Dragonfly-7
A80332 — Legacy (1 keyway) CPT-60 / CPT-70/ CPT-80 transducer to Dragonfly-4 / Dragonfly-5 and Wi-Fish™ (3 keyway) adaptor cable	<ul style="list-style-type: none"> • Legacy CPT-60 • Legacy CPT-70 • Legacy CPT-80 	<ul style="list-style-type: none"> • DV • DVS • Pro • Wi-Fish™ • Updated Dragonfly-6 • Updated Dragonfly-7

Transducer cable connectors

Cable Connector	Description	Transducer	Compatible unit / display
	Black – 1 keyway	<ul style="list-style-type: none"> • Legacy CPT-60 • Legacy CPT-70 • Legacy CPT-80 	<ul style="list-style-type: none"> • Legacy Dragonfly-6 • Legacy Dragonfly-7
	Green – 3 keyway	<ul style="list-style-type: none"> • CPT-DVS • Updated CPT-60 • Updated CPT-70 • Updated CPT-80 	<ul style="list-style-type: none"> • DVS • Pro • Updated Dragonfly-6 • Updated Dragonfly-7
	Yellow – 3 keyway	<ul style="list-style-type: none"> • CPT-DV 	<ul style="list-style-type: none"> • DV • Wi-Fish™
	Black – 3 keyway	<ul style="list-style-type: none"> • N/A – 5 M power connector 	<ul style="list-style-type: none"> • 5 M

Adaptor cables

Adaptor cables are available to enable connection of the older 1 keyway connectors to the new 3 keyway connectors.

Raymarine[®]
BY  **FLIR**[®]