

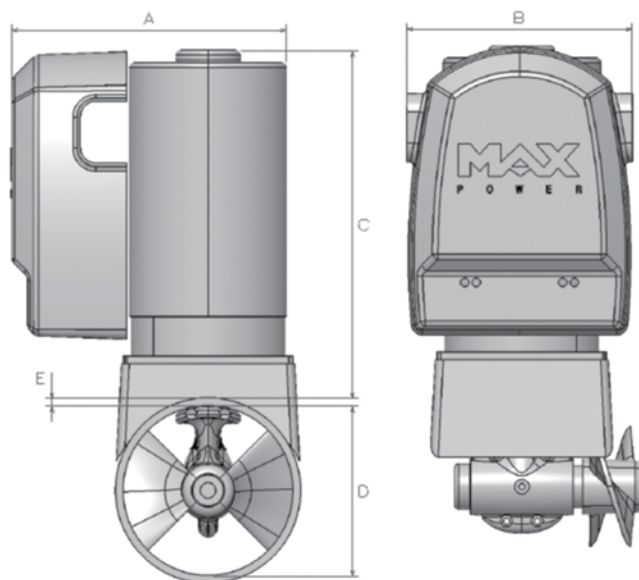
### CT25 Product Code 636061\*

#### CT 25 Specifications

Motor	1800W - 12V
Thrust (Kgf)	26-28
Number of Propellers	Single
Weight (kg)	7,5
Tunnel Diameter	Ø110mm
Application Range (ft / meters)	20-30fts 6-9m

#### CT25 Dimensions (mm)

A	180
B	145
C	225
D	110
E	4 to 5



### Necessary Accessories

#### Touch Panel

	Black	318200
	Grey	318201

#### Joystick Simple

	Black	318202
	Grey	318203

#### Joystick Double\*\*

	Black	318204
	Grey	318205

#### Fuses

	Fuse	35021
	Fuse Holder	35017

#### Electric Battery Isolator

	12V	318400
--	-----	--------

#### Optional Equipment

	GRP Tunnels	
	D110 x 4 x L750mm	636062
	D110 x 4 x L1000mm	636063

\* Assembly with relay and control box included

\*\* For installations as additional unit on boat with more than one thrusters