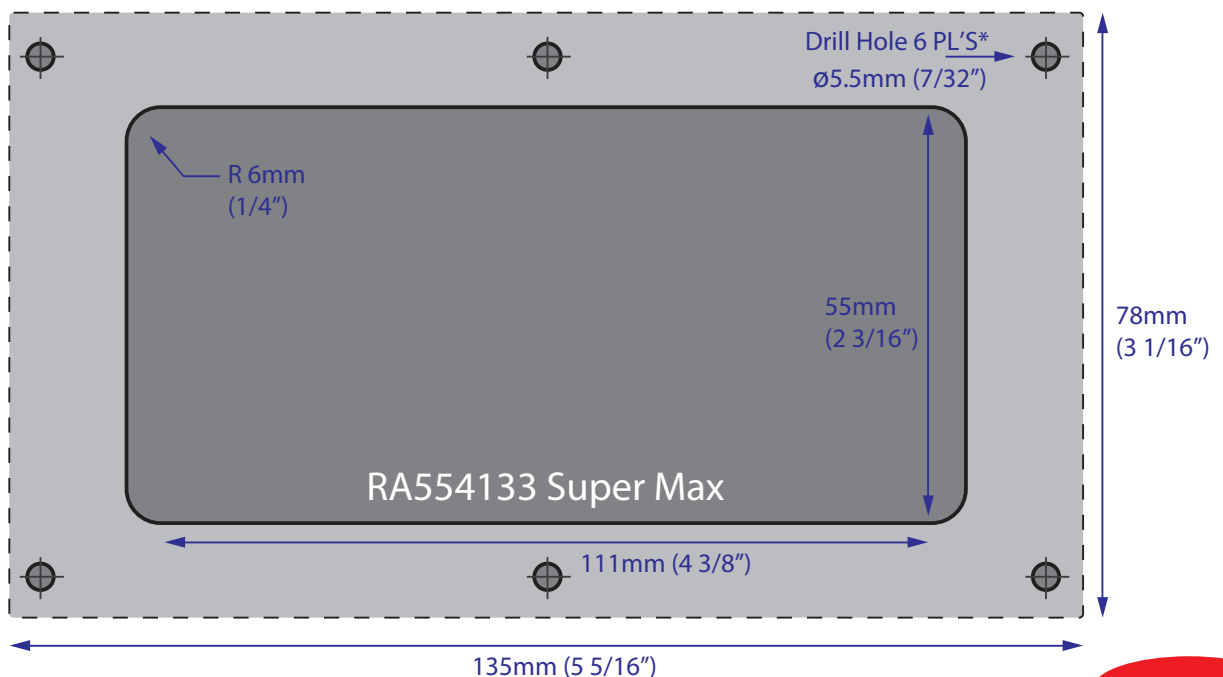
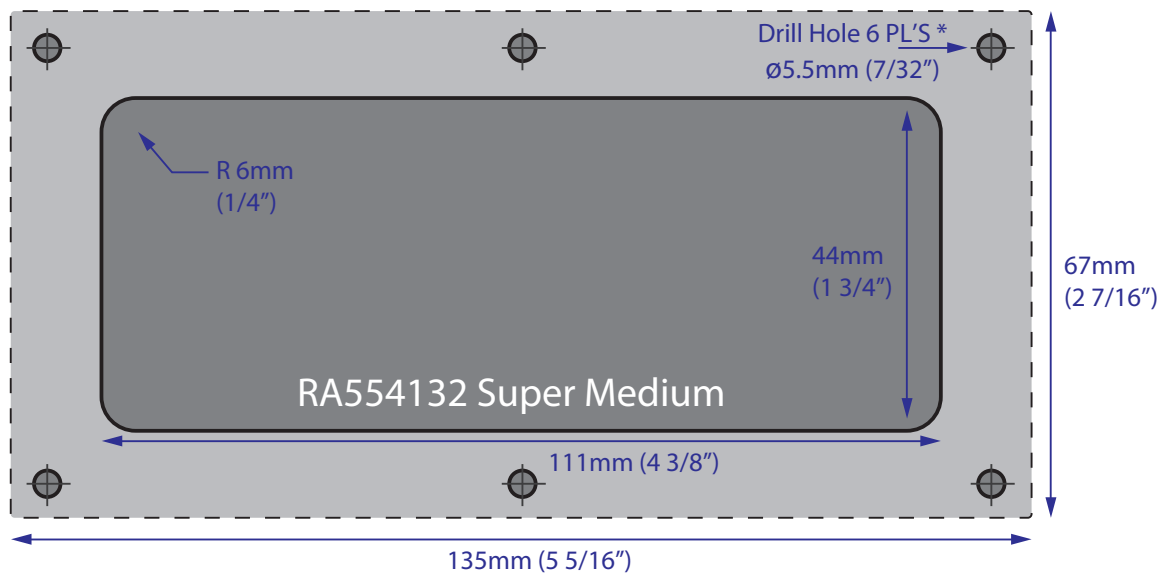
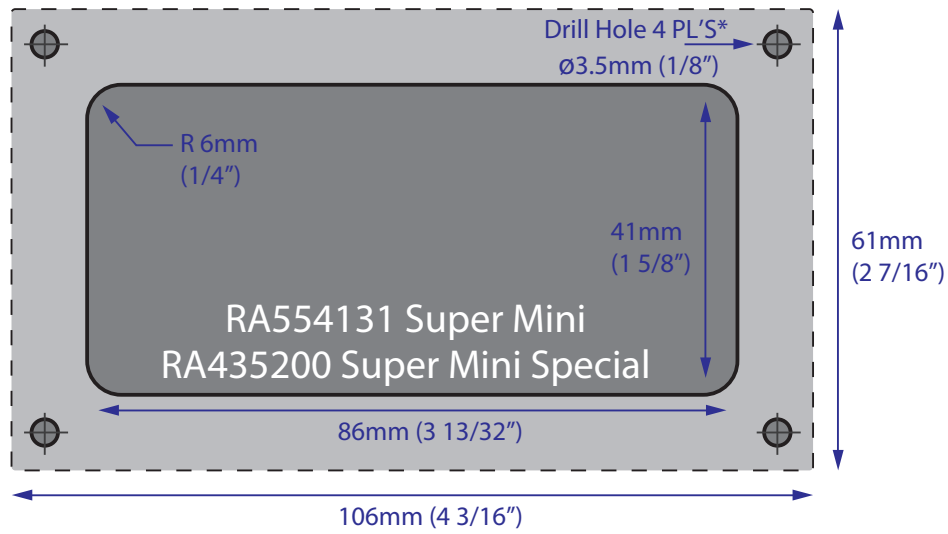


# Bailer Drilling/Cutting Templates

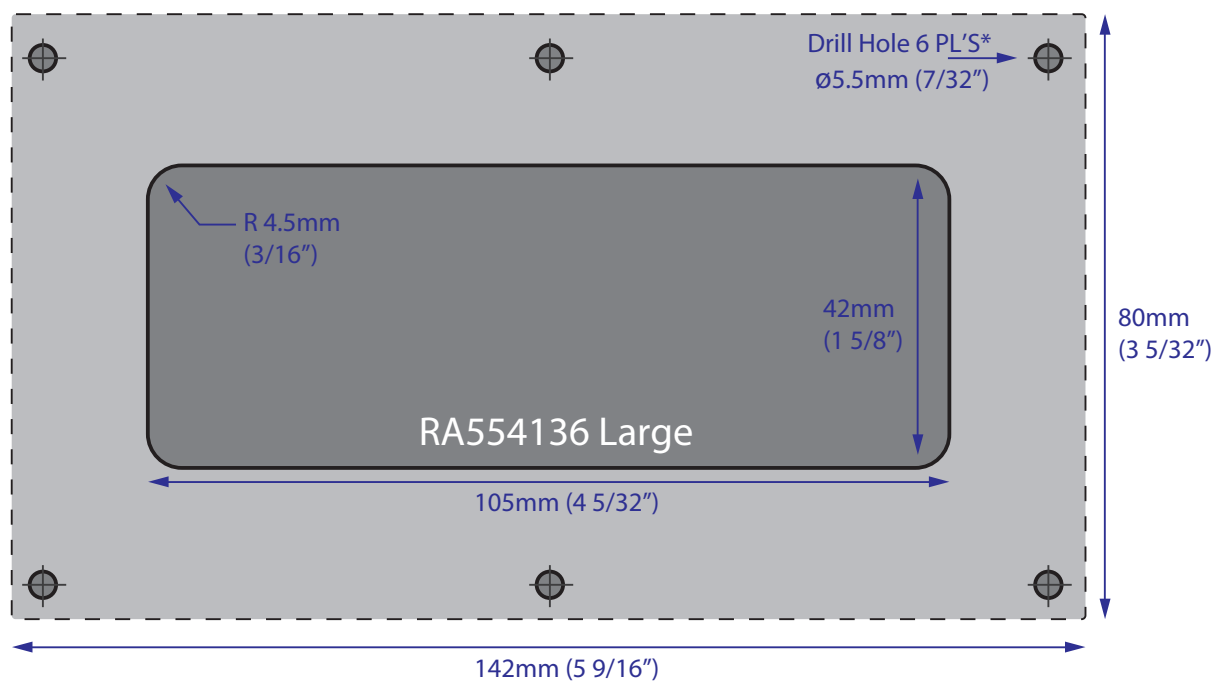
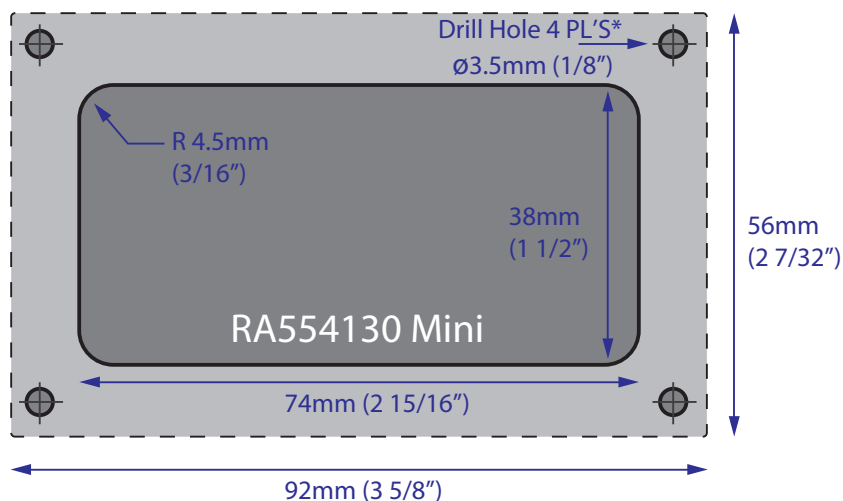
## Inside Mounted Bailers



\* Use actual bailer as guide for location of holes to be drilled.

# Bailer Drilling/Cutting Templates

## Outside Mounted Bailers



\* Use actual bailer as guide for location of holes to be drilled.