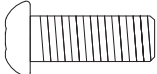
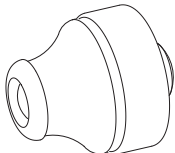

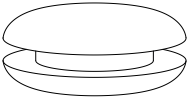
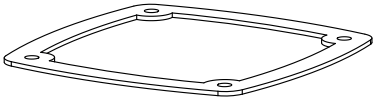
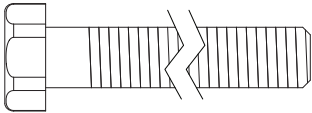


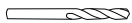


Parts List			Tools Required		
M6x16mm  60617	x4	Cable Grommet  101819	x2	M8 Nylon Insulator  64000	x8
Blanking Plug  101816			x1	Foam Seal  19020	x1
			Parts Required  M8 x 25mm+ x4		
			Tools Required  Hole Saw $\varnothing 50-52\text{mm}$ (2")  Power drill  $\varnothing 8.5\text{mm}$ (21/64") Drill Bit		

