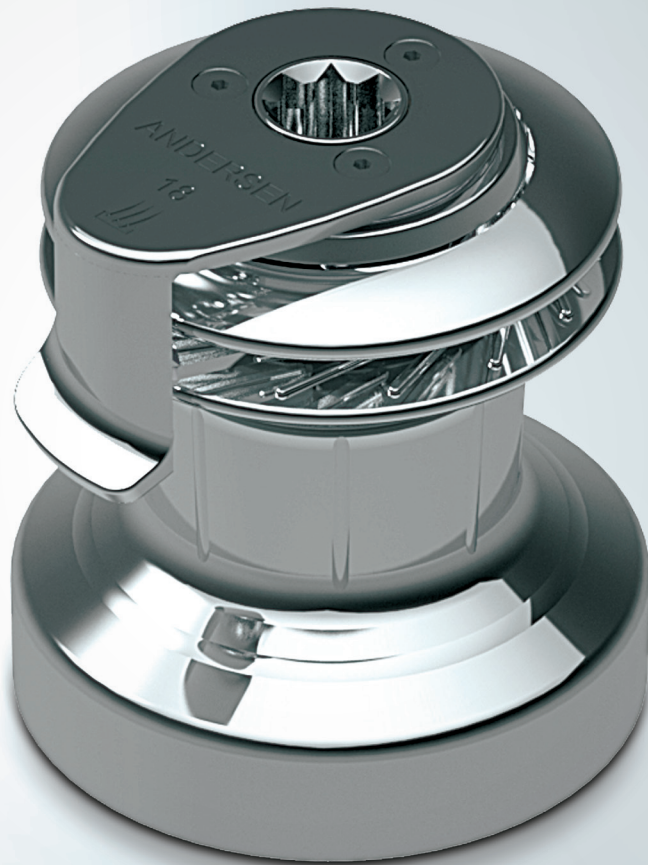


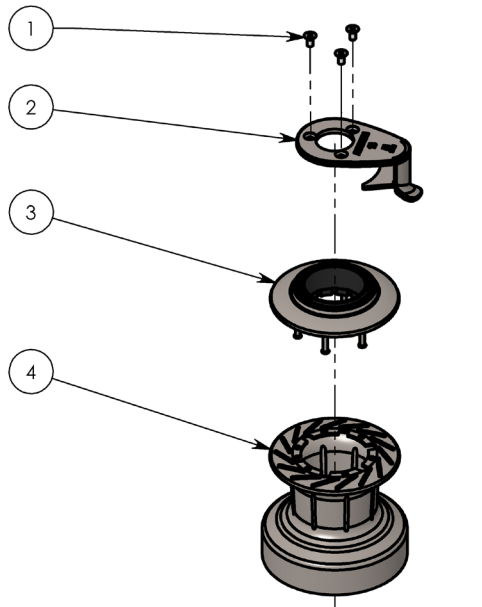
# PRODUCT MANUAL

**18ST** (V.2.0)

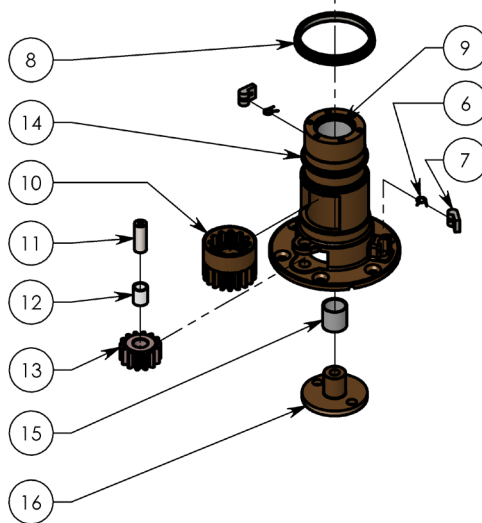
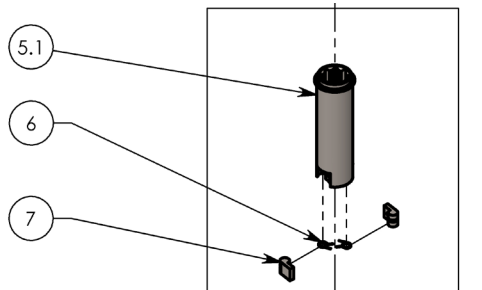
**18ST FS** (V.2.0.F)



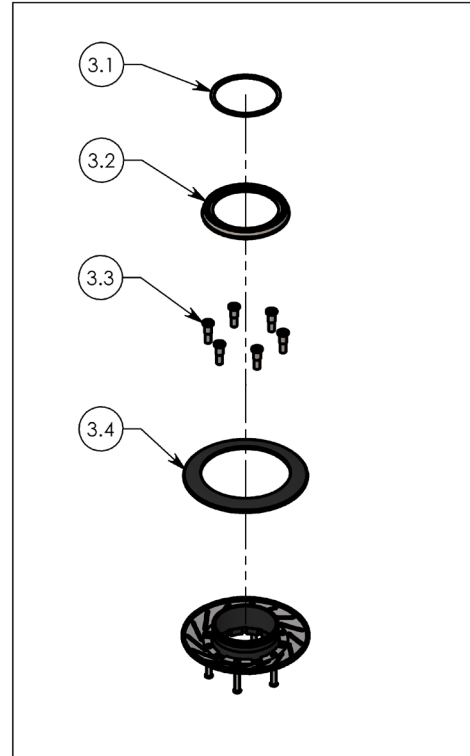
## EXPLODED VIEW



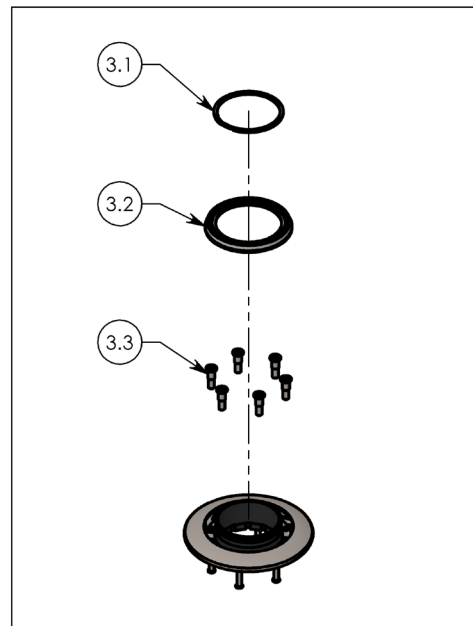
ITEM. 5 - PART No. 786001



ITEM. 3  
MODEL ST FS - PART No. 537551



ITEM. 3  
MODEL ST FS - PART No. 537511



## I PARTS LIST

ITEM NO.	QTY.	DESCRIPTION	PART NO.
1	3	Screw	543310
2	1	Self-tailing arm	786105
3	1	Self-tailing top complete Model ST	537551
3	1	Self-tailing top complete Model ST FS	537511
3.1	1	Circlip	726400U
3.2	1	Top ring	782100
3.3	6	Screw	781811
3.4	1	Disc - Model ST (537551 only)	726310
4	1	Drum complete	773600
5	1	Drive shaft complete	786010
5.1	1	Drive shaft	786001
6	4	Arm spring	713300
7	4	Pawl	713200
8	1	Bearing	785700
9	1	Bushing (not removable)	716501
10	1	Ratchet gear	785900
11	1	Shaft	785300
12	1	Bushing	RD786300
13	1	Gear wheel	786200
14	1	Base	773700
15	1	Bushing for ratchet gear	785500
16	1	Shaft for ratchet gear	785100
	<b>1</b>	<b>Service kit 18 (not included)</b>	<b>710018</b>

## I MOUNTING INSTRUCTIONS

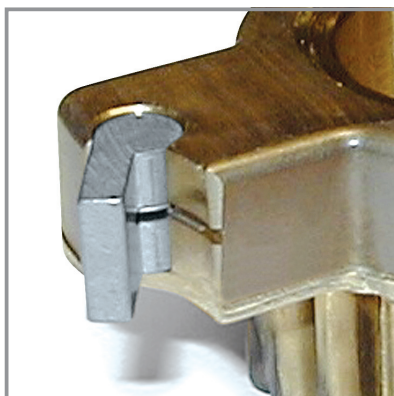
Installing the winch is easy, if you follow these instructions. The numbers in ( ) refer to the position numbers in the parts list.

### Tools required for the installation:

- Allen key (3 mm)
- Allen key (5 mm)
- Ø6.5 mm. (1/4") drill
- Bedding compound
- 6 x M6 (1/4") countersunk head screws and corresponding nuts (length depending on deck thickness).
- 6 x large washers or backing plate
- Ring spanner to match nuts

1. Remove screws (1).
2. Remove self-tailing arm (2) and drum (4).
3. Place the template and drill holes Ø6.5mm (1/4").  
Make sure that no dust comes into contact with the winch while drilling.
4. Apply a light coat of bedding compound, ensuring that each bolt hole is bedded.  
Keep drain grooves clear.
5. Fasten base (14) into place using 6 pieces. M6 (1/4") countersunk head screws.  
Use large washers or a backing plate.
6. Assemble in reverse order.
7. Check that the winch is functioning correctly:
  - The drum should operate smoothly, by turning the drum clockwise by hand.
  - The drum must not turn when trying to turn the drum anti clockwise.
  - While turning the winch handle clockwise the drum should turn.
  - While turning the winch handle anti clockwise the drum should not turn.

## PAWL SPRING MOUNTING



Note the curved  
spring "arm"

## SERVICE INSTRUCTIONS

### Tools required for service:

- Screwdriver (large)
- Screwdriver (small)
- Winch handle
- Allen key (3 mm)
- ANDERSEN winch grease

1. Remove screws (1).
2. Remove self-tailing arm (2).
3. Remove drum (4).
4. Pull up the drive shaft (5) gently, using the winch handle.
5. Remove pawls (7) and springs (6).
6. Remove shaft (11) and pull out gearwheel (13).
7. Lift up ratchet gear (10) and pull it out through hole in base (14).
8. Clean all parts in white spirits/mineral spirits including gear teeth.
9. Assemble in reverse order. During assemble, by the use of a small soft brush lightly grease all gear teeth, drive shaft, roller bearing, shafts, pawls, springs and bushings. Pawls should only be lubricated with a very thin film of ANDERSEN WINCH GREASE. It is very important that pawls can move freely.

**IMPORTANT:** When assembling the winch, check the functioning of each pawl by pushing the pawl against the spring. The pawls should move smoothly and automatically return to their normal position, where the pawls engage with the teeth. If the pawls do not function correctly, clean and lubricate the pawls and gears. Check the function of the pawls again to make sure that it works correctly. If the pawls do not work correctly replace the springs and recheck the functioning.

Malfunctioning pawls may lead to unexpected release of the winch force resulting in fatal injuries to the user and others.

Service Kit No: 18 (part. no. 710018) contains spare parts for these winches.

### Maintenance instructions for PVD coated stainless steel surfaces.

PVD-coated surfaces should be rinsed regularly in fresh water to remove any salt residue, dirt or other contaminants and dried gently with a soft cloth. To remove grease or other marks, a mild abrasive free cleaning agent such as spray-on glass cleaning solution may be used. No caustic detergents or other aggressive or abrasive cleaning agents should ever be used, as they may damage the surface.

## GENERAL INFORMATION

Due to the best choice of materials and high precision in manufacturing, we recommend, for normal use, only to dismantle, clean and lubricate the winch once every second year. Under extensive use, such as racing, charter or blue water sailing, we recommend to lubricate the winch once every year.

We strongly recommend always to use ANDERSEN WINCH GREASE, when lubricating your winch. ANDERSEN WINCH GREASE is a high quality silicone/Teflon grease product.

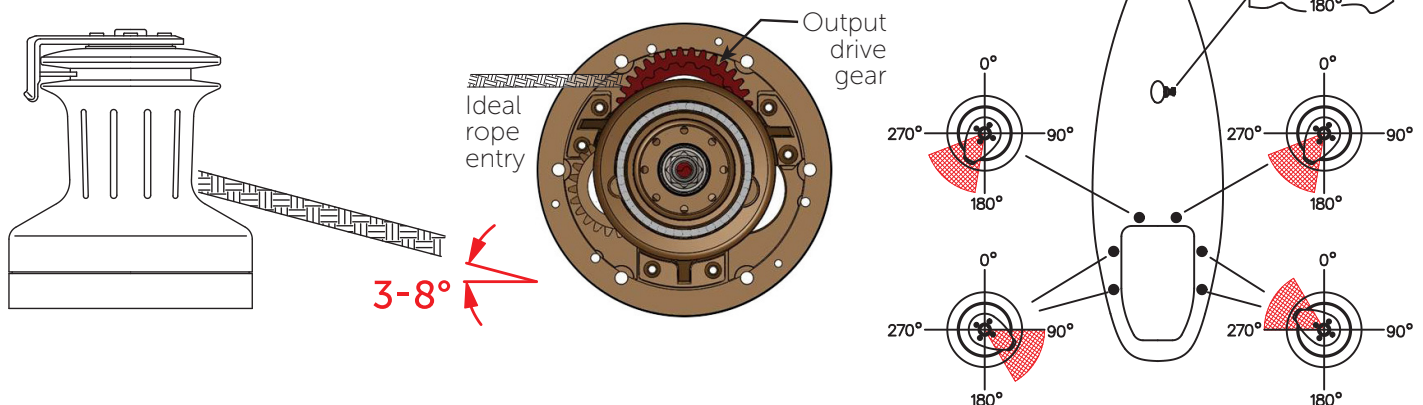
Most other types of grease, including "marine grease" are not suitable for lubrication of winches. Non-suitable grease products can cause malfunction, which could result in fatal injuries for the user and others.

Pawl arm springs should be replaced every second year. Spare arm springs and other parts that may be required are included in the ANDERSEN Service Kit. Please refer to the service instruction for the Service Kit suitable for the specific winch.

When the winch handle is not in use but the winch is under load, we recommend, from a safety point of view, to remove the winch handle from the winch.

To ensure correct function of the self-tailing unit, only use recommended line sizes. When using the winch with mooring lines DO NOT use the self-tailing function and be sure that the mooring line is not in contact with the self-tailing arm.

To ensure the best possible functioning of the winch, we recommend that the winch is placed in accordance with the line entry (shown below).



Be also aware that the self-tailing arm is positioned correctly. We recommend to have the self-tailing arm positioned within the shaded area (shown above). On this model the self-tailing arm can be placed in several different positions after having installed the winch.

To identify the Output Drive Gear, insert a winch handle into the winch and rotate in both directions, the drive gear will only rotate clockwise in a fast and slow speed.

## I SAFETY NOTICES

### I ALL WINCHES



#### **Read All Safety Notices and Product Manuals**

Do not install or operate this winch before reading and fully understanding the contents of this Product Manual.



#### **Stay Alert When Operating**

Andersen winches are very powerful and have the potential to cause significant damage and/or serious injury if used improperly or without due caution and vigilance.



#### **Operators Must be Trained**

Help prevent significant damage and/or serious injury by ensuring any person operating a winch has a thorough understanding of its proper operation and is aware of the potential hazards involved. As a minimum, all winch operators must read and understand this Safety Notice Sheet and the Product Manual.

Particular attention is drawn to the following points:

- Children and others not qualified to operate an electric winch must be kept at a safe distance from the winch and any rigging or fittings that are under load.
- Long hair and/or loose clothing must be tied back to avoid being caught in the winch.
- In the event of a rope override or other fault, stop the winch and turn off power before attempting to resolve the problem.



#### **Avoid Accidental Operation**

Remove winch handles and turn off power to the winch when not in use to help avoid unsupervised or unintentional operation. Failure to do so could result in significant damage and/or serious injury.



#### **Maintenance**

Turn off power to the winch before performing any maintenance or service tasks. Failure to do so could result in significant damage and/or serious injury.



#### **Lifting Operations**

The winch must not be operated with the rope in the self tailer when used in any kind of lifting operation.

Any lifting operations should be conducted by two persons in order to maintain constant visual contact with the object being lifted.

Furthermore the self tailer must not be used as a cleat for a rope used to lift or suspend any object. The rope must be secured properly by tying off, or leading to a suitable fitting such as a cleat or bollard.

**Failure to observe these precautions could result in serious injury or death.**

**I DO NOT DISCARD**



# PRODUCT MANUAL

18ST (V.2.0) | 18ST FS (V.2.0.F)

---

p8

## | WORLDWIDE DISTRIBUTION & SERVICE

| Visit [www.andersenwinches.com](http://www.andersenwinches.com)

## | WARRANTY

| Visit [www.ronstan.com/warranty](http://www.ronstan.com/warranty)

Manufactured by Ronstan Denmark ApS.  
Jægervænget 36 - 7100 Vejle - Denmark  
[office@ronstan.dk](mailto:office@ronstan.dk) - [www.andersenwinches.com](http://www.andersenwinches.com)

