

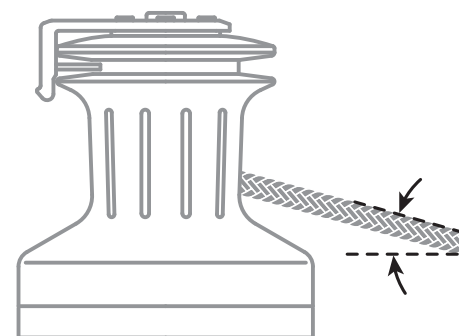
Winch Mounting Measurements

Self Tailing & Classic Winches

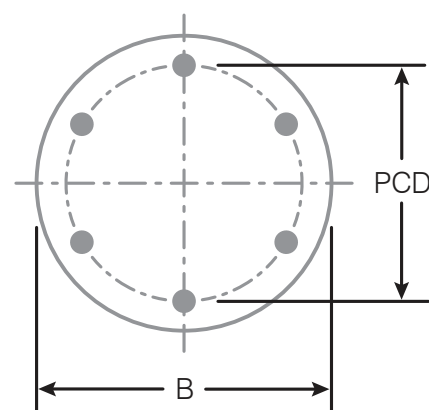
WINCH SIZE	B BASE DIAMETER		PCD MOUNTING HOLES		MOUNTING FASTENER SIZE		NUMBER OF FASTENERS	FASTENER LAYOUT
	mm	in.	mm	in.	mm	in.		

SELF TAILING

12ST	115	4 1/2	90	3 9/16	M6	1/4	6	
18ST	120	4 3/4	90	3 9/16	M6	1/4	6	
28/34ST	125	4 15/16	90	3 9/16	M6	1/4	5	
40ST	152	6	100	3 15/16	M6	1/4	5	
46/50ST	180	7 1/16	155	6 1/8	M8	5/16	5	
52ST	200	7 7/8	165	6 1/2	M8	5/16	6	
58/62ST	230	9 1/16	200	7 7/8	M10	3/8	6	
68/72ST	280	11 1/16	240	9 7/16	M10	3/8	6	
78ST	320	12 5/8	260	10 1/4	M12	1/2	6	
110ST	395	15 9/16	330	13	M12	1/2	6	



Recommended line entry angle 3-8°



CLASSIC

8 (91)	80	3 1/8	60	2 3/8	M6	1/4	6	
5.5 (101/102)	111	4 5/16	90	3 9/16	M6	1/4	6	
10	92	3 5/8	65	2 9/16	M6	1/4	4	
16	114	4 1/2	90	3 9/16	M6	1/4	5	
28	124	4 15/16	90	3 9/16	M6	1/4	5	
40	136	5 3/8	100	3 15/16	M6	1/4	5	
46	143	5 5/8	100	3 15/16	M8	5/16	5	

