

Installation and Maintenance Manual

HYDRAULIC CYLINDER FOR INBOARD ENGINES UC 378



CE

 **ULTRAFLEX**



UK
page. 2

I
pag. 21

F
page. 41

ENGLISH

ITALIANO

FRANÇAIS



Dear Customer,

We would like to thank you for choosing an **ULTRAFLEX** product.

ULTRAFLEX has been a leader in steering systems for pleasure and professional boats for many years. **ULTRAFLEX** production is since ever synonymous of reliability and safety.

All **ULTRAFLEX** products are designed and manufactured to ensure the best performance. To ensure your safety and to maintain a high quality level, **ULTRAFLEX** products are guaranteed only if they are used with original spare parts.

ULTRAFLEX and **UFLEX** Quality Management Systems are certified CISQ-IQNet by the Italian Shipping Registry (RINA), in conformity with the UNI EN ISO 9001:2008 rule. **ULTRAFLEX** certification No. 6669/02/S (former 420/96). **UFLEX** certification No. 8875/03/S.

The quality management system involves all the company resources and processes starting from the design, in order to:

- ensure product quality to the customer;
- maintain and improve the quality standards constantly;
- pursue a continuous process improvement to meet the market needs and to increase the customer satisfaction

ULTRAFLEX Environmental Management System is certified CISQ-IQNet by the Italian Shipping Registry (RINA), in conformity with the UNI EN ISO 14001 rule. **ULTRAFLEX** certification No. EMS-1282/S.

Products for pleasure boats are constantly tested to check their conformity with the 2013/53/EU.



"**ULTRAFLEX** has over 80 years of experience in the marine industry and is a world leader in the production of mechanical, hydraulic and electronic steering systems, control boxes and steering wheels for any kind of pleasure, fishing or commercial boats.

The key factors which explain the increasing success of our products all over the world are the reliability of our products and the before and after sale service, the quality of the company organization and of the human resources and the continuous spending in research and development".

TABLE OF CONTENTS 

ENGLISH

MANUAL USE AND SYMBOLS USED.....4
 INTRODUCTION.....5
 WARRANTY.....5

SECTION 1 - PRODUCT DESCRIPTION 

1.1 HYDRAULIC STEERING SYSTEM OPERATION.....6
 1.2 WARNINGS FOR THE CORRECT PRODUCT USE6
 1.3 SYSTEM CONFIGURATIONS.....7
 1.4 CYLINDER DESCRIPTION.....8
 1.5 TECHNICAL FEATURES.....8

SECTION 2 - TRANSPORT 

2.1 GENERAL WARNINGS.....9
 2.2 PACKAGING CONTENTS.....9

SECTION 3 - INSTALLATION 

3.1 NECESSARY TOOLS.....10
 3.2 CYLINDER INSTALLATION.....10
 3.3 HOSE INSTALLATION.....12
 3.4 TYPE OF INSTALLATION.....13
 3.5 FILLING AND PURGING.....14
 3.5.1 SINGLE STEERING STATION/ SINGLE CYLINDER.....15
 3.5.2 DUAL STEERING STATION/SINGLE CYLINDER.....16
 3.6 GENERAL RECOMMENDATIONS.....16

SECTION 4 - SAFETY WARNINGS 

4.1 SAFETY WARNINGS DURING USE AND INSTALLATION17
 4.2 CLOTHING.....17

SECTION 5 - MAINTENANCE 

5.1 ORDINARY MAINTENANCE.....18
 5.2 TROUBLESHOOTING.....18

SECTION 6 - DISMANTLING 

6.1 DISMANTLING.....20

MANUAL USE AND SYMBOLS USED

THE INSTALLATION AND MAINTENANCE MANUAL is the document accompanying the product from its sale to its replacement and discharge. The manual is an important part of the product itself. It is necessary to read carefully the manual, before ANY ACTIVITY involving the product, handling and unloading included.

⚠ DANGER



Immediate hazards which CAUSE severe personal injury or death.

⚠ WARNING



Denotes that a hazard exists which can result in injury or death if proper precautions are not taken.

⚠ CAUTION



Denotes a reminder of safety practices or directs attention to unsafe practices which could result in personal injury or damage to the craft or components or to the environment.

NOTICE

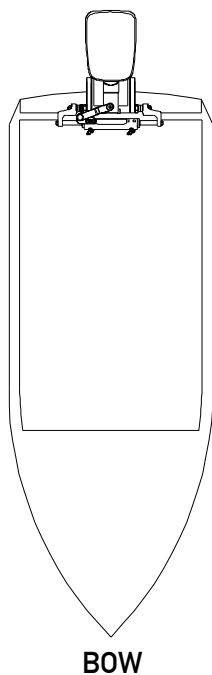


Important information for the correct installation and for maintenance, that does not cause any damage.



The symbol aside indicates all the operations which must be carried out by qualified or skilled staff, in order to avoid hazards. We recommend training the staff in charge of the product installation and checking their knowledge.

STARBOARD



PORT



The picture aside explains the meaning of some nautical words contained in this manual.



INTRODUCTION

This installation and maintenance manual represents an important part of the product and must be available to the people in charge of its use and maintenance.

The user must know the content of this manual.

ULTRAFLEX declines all responsibility for possible mistakes in this manual due to printing errors.

Apart from the essential features of the described product, **ULTRAFLEX** reserves the right to make those modifications, such as descriptions, details and illustrations, that are considered to be suitable for its improvement, or for design or sales requirements, at any moment and without being obliged to update this publication.

ALL RIGHTS ARE RESERVED. Publishing rights, trademarks, part numbers and photographs of **ULTRAFLEX** products contained in this manual are **ULTRAFLEX** property.

Great care has been taken in collecting and checking the documentation contained in this manual to make it as complete and comprehensible as possible. Nothing contained in this manual can be interpreted as warranty either expressed or implied - including, not in a restricted way, the suitability warranty for any special purpose. Nothing contained in this manual can be interpreted as a modification or confirmation of the terms of any purchase contract.

WARNING

To ensure the correct product and component operation, the product must be installed by qualified staff. In case of part damage or malfunction, please contact the qualified staff or our Technical Assistance Service.

TECHNICAL ASSISTANCE SERVICE

UFLEX S.r.l.

Via Milite Ignoto,8A
16012 Busalla (GE)-Italy
Ph.: +39.010.962.0239 (Italy)
Ph.: +39.010.962.0244 (abroad)
Fax: +39.010.962.0333
Email: ut@ultraflexgroup.it
www.ultraflexgroup.it

North - South - Central America: UFLEX USA

6442 Parkland Drive
Sarasota, FL 34243
Ph.: +1.941.351.2628
Fax: +1.941.360.9171
Email: uflex@uflexusa.com
www.uflexusa.com

WARRANTY

ULTRAFLEX guarantees that its products are well designed and free from manufacturing and material defects, for a period of two years from the date of manufacturing.

For the products which are installed and used on working or commercial boats the warranty is limited to one year from the date of manufacturing.

If during this period the product proves to be defective due to improper materials and/or manufacture, the manufacturer will repair or replace the defective parts free of charge.



Direct or indirect damage is not covered by this warranty. In particular the company is not responsible and this warranty will not cover the damage resulting from incorrect installation or use of the product (except for replacement or repair of defective parts according to the conditions and terms above).

This warranty does not cover the products installed on race boats or boats used in competitions.

The descriptions and illustrations contained in this manual should be used as general reference only.

For any further information please contact our Technical Assistance Service.

ULTRAFLEX steering system components are marked  according to the Directive 2013/53/EU.

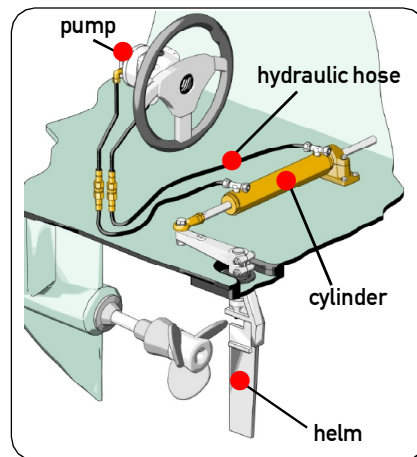
We remind you that only  marked steering systems must be used on the boats marked . We inform you that the **ULTRAFLEX** warranty is null if some **ULTRAFLEX** components are installed on a steering system together with products of other brands.



1 PRODUCT DESCRIPTION

1.1 Hydraulic steering system operation

All **ULTRAFLEX** hydraulic steering systems are designed in conformity with UNI-EN-ISO 10592 and A.B.Y.C. P21 regulations. All **ULTRAFLEX** steering systems can operate at temperatures between -18°C (0°F) and +77°C (+170°F). All the components are made for the marine environment, using materials and working processes which offer long life and safety under the most extreme conditions. A hydraulic steering system consists of a steering pump, a cylinder tied to the rudder or to the outboard or sterndrive engine and the connecting hoses (see picture). Under normal operating conditions, a turn of the steering wheel will pump the oil, which flows in through the hoses to the cylinder, according to the turn direction. With the consequent cylinder movement the oil will flow to the pump through the hoses and at the same time moves the engine or the helm which are connected to the cylinder. The pumps equipped with a valve which prevents outgoing fluid from returning along the same hose, allow the operation of the steering systems with two or more steering stations. The cylinders are double acting and may be balanced or unbalanced. In the unbalanced cylinders the two chambers have different volumes and so they need a different number of turns of the steering wheel and a different rotation effort. The balanced cylinders have same number of steering wheel turns in order to move the helm from the center to the end stroke in the two opposite directions. A well balanced steering system needs a correct choice of the pump for the cylinder. **ULTRAFLEX** produces different pump models, which have different capacity (cm³ of oil moved each steering wheel turn) and for each type of installation. While choosing the pump it is important to consider the cylinder volume. The number of starboard and port turns is determined by the ratio between the cylinder volume and the pump capacity.



Example: if the pump has a capacity of 28 cm³ [1.7cu.in.] and the cylinder has a volume of 120 cm³ [7.3cu.in.], the formula looks like this: $120/28=4.2$. Accordingly, the steering wheel will turn 4.2 times before the cylinder will completely turn from one side to the other. In case of installations with double cylinders connected in parallel the cylinder volume must be added. Applications with less than 4 turns are not recommended, as they need a higher effort, also applications with more than 8 turns are also not recommended, as the response of the boat to steer is slowly.

1.2 Warnings for the product correct use

⚠ DANGER

Do not modify the steering cylinder in any way to fit it to your application, otherwise the cylinder will no longer operate in safety and it will endanger the boat and the occupants.

⚠ WARNING

All **ULTRAFLEX** steering systems must not be installed on boats equipped with engines whose maximum horsepower is higher than the horsepower rating approved by boat manufacturer.

⚠ WARNING

The UC 378 cylinder must not be installed on race boats.

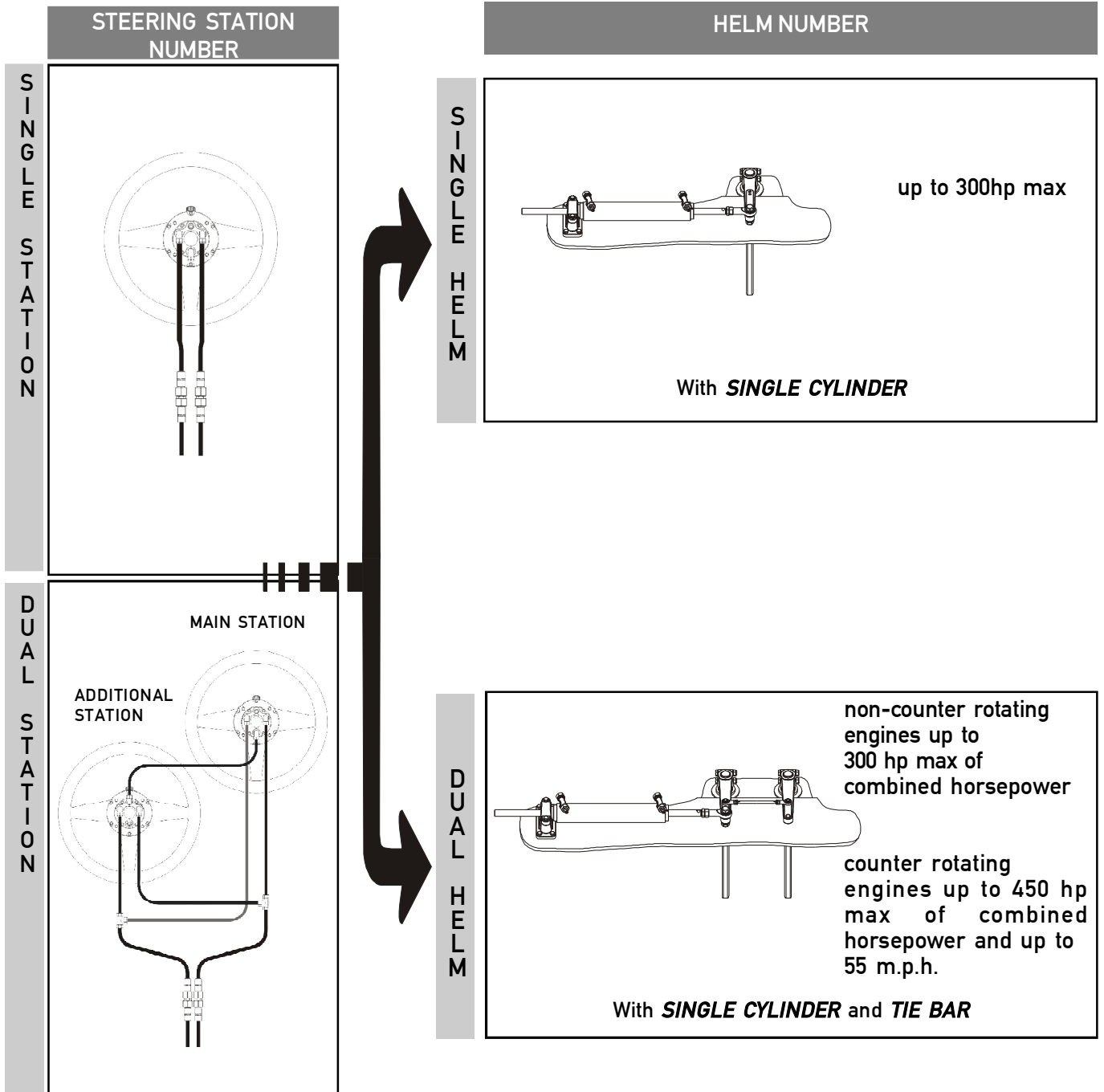
⚠ WARNING

In dual helm applications horsepower must not exceed 450hp and boat speed must not exceed 55 m.p.h.



1.3 System configurations

The hydraulic cylinder for inboard engine UC 378 model can be installed with different configurations according to the number and the type of engines used with a single or dual engine steering system. The possible configurations are:



NOTICE

Dual engine installations require the use of a tie bar.
Dual station installations require the use of 2 helms with non-return valve.

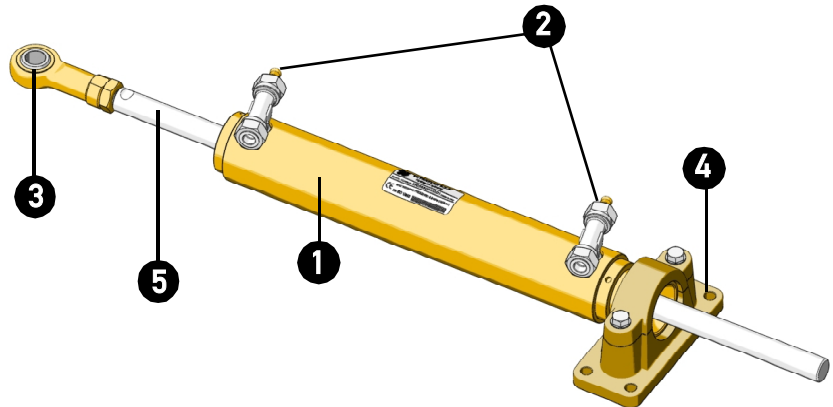


1.4 Cylinder description

UC 378 is a hydraulic inboard cylinder which has been designed and manufactured to be used as a component in the hydraulic steering systems, as described in the previous paragraph.

The cylinder with mobile rod is installed directly to the arm of the helm through the proper ball joint on the end part of the cylinder. On the opposite side it is fixed directly to the boat through a support with plate (see par. 3.2). For the dual helm application, the single cylinder must be mounted with a tie bar (see par. 1.3). The following picture shows the main cylinder components:

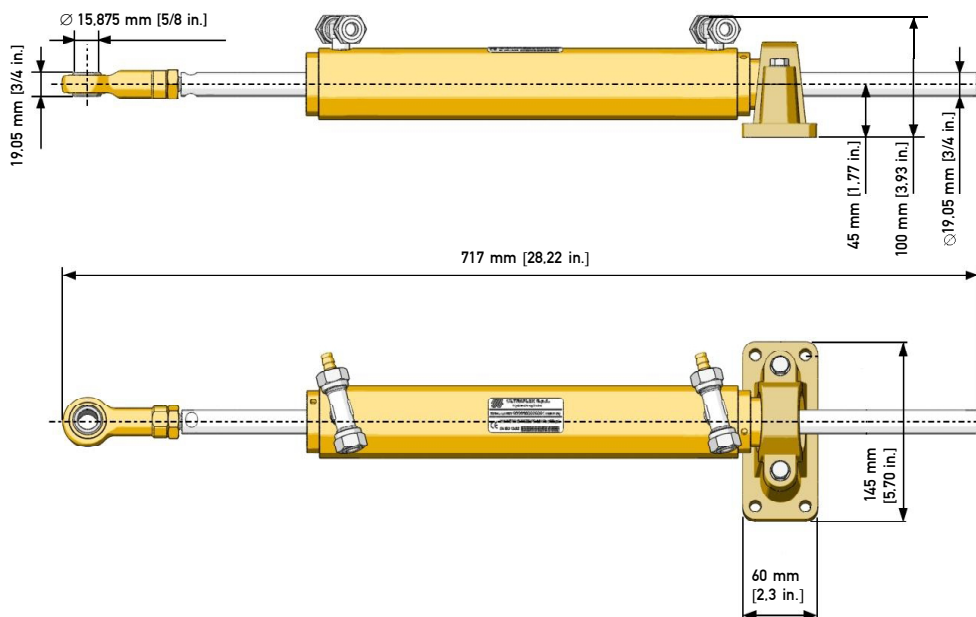
- 1 Cylinder body
- 2 Bleeders
- 3 Ball joint
- 4 Support with mounting brackets
- 5 Rod



1.5 Technical features

SPECIFICATIONS	UC 378
Volume	376 cc - 23 cu. in
Output force	1177 kg - 2595 lbs (@70 bar)
Torque	187.6 Kg/m - 16347 lbs/in. (@70 bar)
Inside diameter	50 mm - 1.96"
Stroke	228 mm - 8.97"
Oil	OL150 Ultraflex

Overall dimensions:



2 TRANSPORT

2.1 General warnings

The product weight with its packaging is 9kg (19 pounds) and so it can be handled manually.

⚠ WARNING

The staff in charge of handling must operate with protective gloves and safety shoes.

2.2 Packaging contents

Before using the equipment check that the product has not been damaged during transport. Also make sure that all the standard components are in the packaging (see list). In case of damage, notify the claim to the forwarder and inform the supplier.



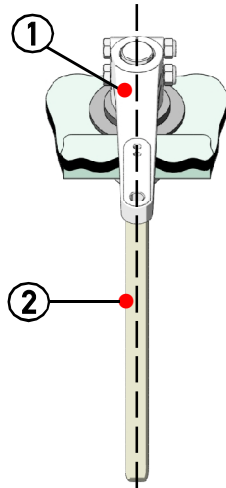
- A) Cylinder
- B) 2 flexible hoses for cylinder-system connection
- C) 2 fittings for flexible hose-system connection with a 12mm (0.5") hose.

⚠ CAUTION

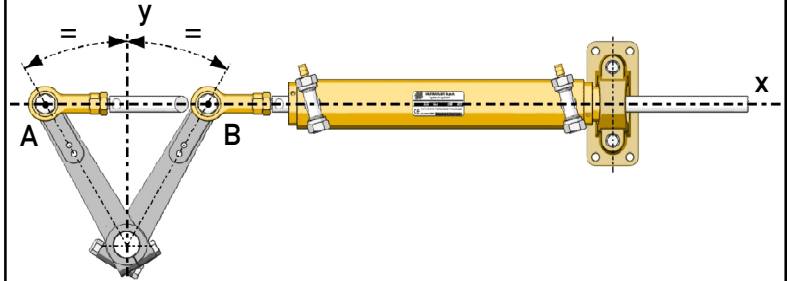
The packaging must be disposed of according to the existing laws.



1 Check if the arm (1) and the helm blade (2) are aligned, then center them to the longitudinal axis.



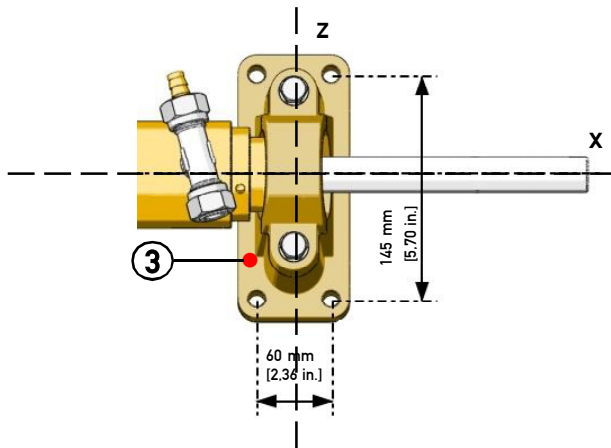
2 Mount it by looking for the "x" imaginary line parallel to the transom. It joins the arm hole in the two "A" and "B" end stroke positions of the cylinder when the angles between the two "A" and "B" positions and the "y" longitudinal axis are the same ones. This line will be the mounting axis of the cylinder.



3 Check if the "z" axis of the bracket (3) is perpendicular to the "x" axis of the cylinder. Fix the bracket (3) on a proper support with 4 screws diam. 8 mm (5/16") and 4 stainless steel self-locking nuts fit to bear the forces at stake (screws and nuts are not supplied).

NOTICE

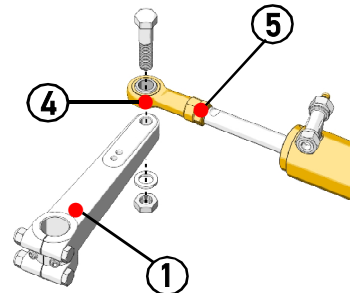
The oil fittings must be always in high position.



4 Connect the joint (4) to the arm (1); the arm must be under the joint; (follow the instructions of the arm manufacturer).

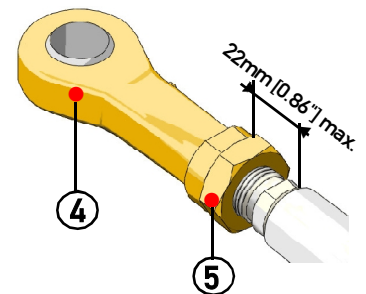
WARNING

The ball joint (4) must be locked by means of the safety lock nut (5) with a torque of $100 \pm 10 \text{ Nm}$ ($73.8 \pm 7.38 \text{ lb-ft}$) (22mm -0.86" wrenches and 24mm -0.94" wrenches).



WARNING

Fine adjustment must not exceed the value shown in the picture.



CAUTION

Check if the cylinder in the two "A" and "B" end stroke positions is aligned in horizontal position (parallel to the transom). Move the helm forward and backward in order to check the free movement of the cylinder and if these positions are perfectly symmetrical to the "y" axis as shown in picture 2. Be sure the movement of the ball joints is not hindered.

DANGER

Check if the cylinder and not the helm moves up to the end stroke.

In case of connection of the two helms with tie bar, the cylinder can be connected directly to the tie bar or to one of the helm arms; follow the instructions given with the arms and/or with the tie bar.



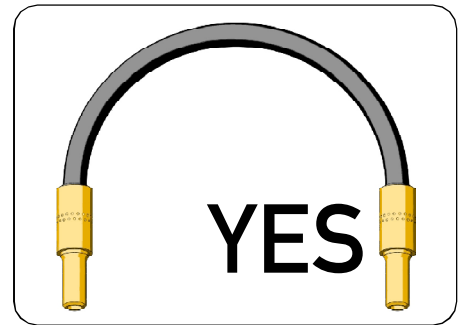
3.3 Hose installation



The two fittings mounted on the cylinder body are already oriented and are ready to be used.

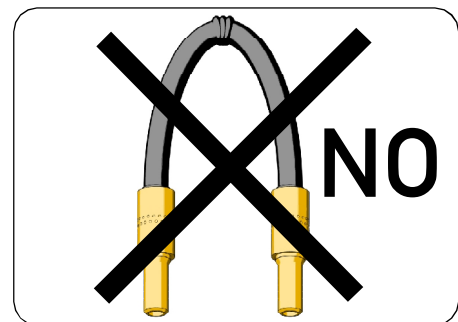
⚠ DANGER

The fittings mounted on the cylinder cannot be oriented. If they are unscrewed, they could be broken and the cylinder is no more usable.

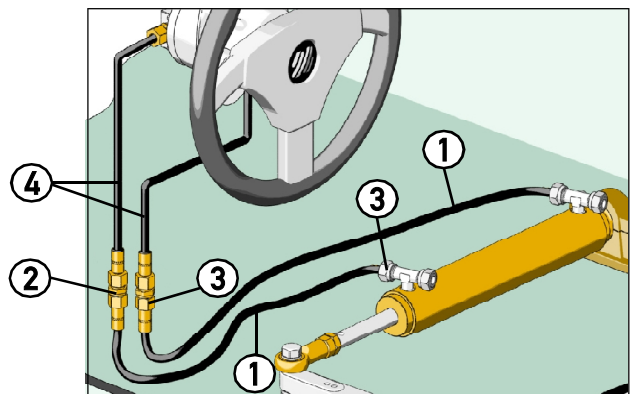


⚠ WARNING

An excessive hose bend could result in its internal breaking which will cause a bad operation of the system. In this case it is necessary to replace the damaged hose.



Connect the flexible hoses supplied (1) to the cylinder and to the fittings supplied (2) by tightening the nuts with ogive (3) by means of an open end wrench 22 mm (0.86") with a torque of 45-50 Nm (33.2-36.9 lb-ft). Connect the rigid tubes (4) to the pump (2) and to the fittings (2) in the same way.



NOTICE

The installation of the rigid tubes (4) (cutting, bending and routing) must be carried out by specialized staff by following the instructions of the manufacturer. If copper or steel tubes are used, rinsing is required.



3.4 Type of installation



ENGLISH

NOTICE

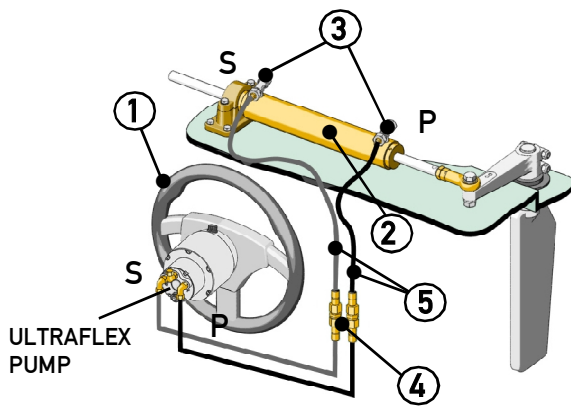
With reference to the boat, the hose which is connected to the port side (P) of the pump must be always connected to the fitting of the side port (P), while the hose which is connected to the starboard side (S) of the pump must be connected to the fitting of the starboard side (S).

CAUTION

Connect hoses as shown in the following pictures:

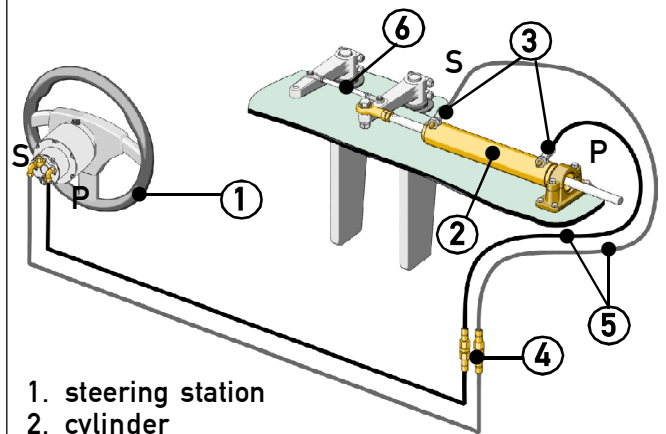
The UC 378 hydraulic cylinder for inboard engines can be installed with different configurations according to the number and the type of engines used with a single or dual steering system. The possible configurations are:

SINGLE STATION / SINGLE CYLINDER:



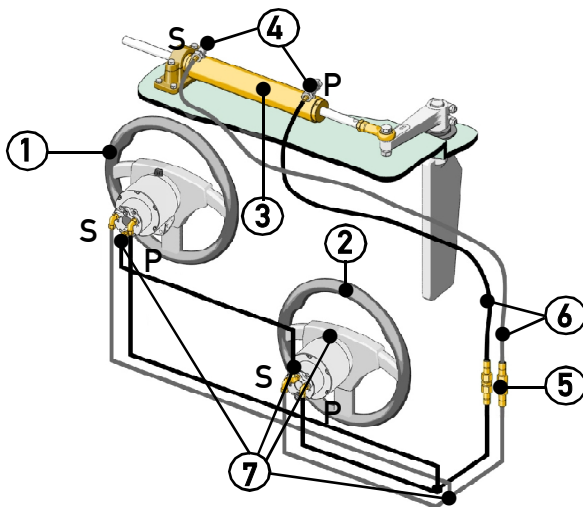
1. steering station
2. cylinder
3. T" fittings with bleed valves
4. fittings supplied
5. flexible hoses supplied

SINGLE STATION / SINGLE CYLINDER WITH DUAL HELM:



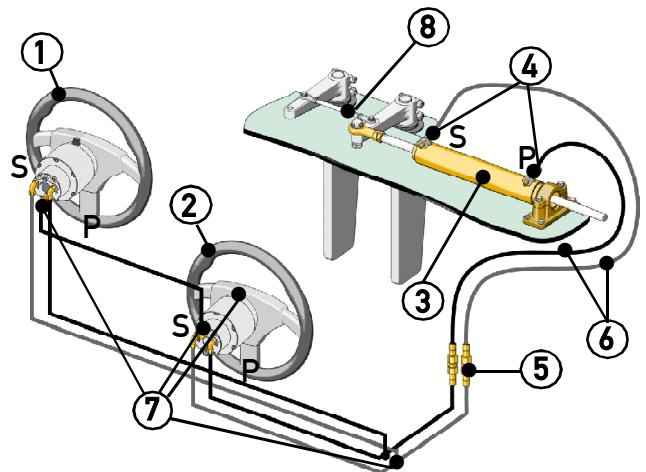
1. steering station
2. cylinder
3. T" fittings with bleed valves
4. fittings supplied
5. flexible hoses supplied
6. tie bar

DUAL STATION / SINGLE CYLINDER:



1. main steering station
2. additional steering station
3. cylinder
4. "T" fittings with bleed valves
5. fittings supplied
6. flexible hoses supplied
7. kit 120U-2S

DUAL STATION / SINGLE CYLINDER WITH DUAL HELM:



1. main steering station
2. additional steering station
3. cylinder
4. "T" fittings with bleed valves
5. fittings supplied
6. flexible hoses supplied
7. kit 120U-2S
8. tie bar





3.5 Filling and purging

After the first installation and after maintenance operations it is necessary to fill the system with hydraulic oil. This operation must avoid the air in the system, to ensure the good system operation. The hydraulic system must be filled from the highest point of the system, which means from the upper steering station.

CAUTION

To avoid air bubbles in the oil, it is necessary to fill the tank slowly.

WARNING

The filling and bleeding operations must be carried out at least by two operators.

DANGER

Use **ULTRAFLEX** oil or other compatible oils.

Hydraulic oil OL150 has been specifically formulated for **ULTRAFLEX** to ensure high quality performance level of **ULTRAFLEX** products throughout time.

Its special "Zinc Free" formula enhances protection against marine oxidation. The special mix of anti-wear and stabilizing components of OL150 allow ensuring great results as far as the product duration and performances are concerned in several environmental conditions. **ULTRAFLEX** hydraulic oil complies with standard ISO 10592 concerning hydraulic steering systems. **ULTRAFLEX** is not to be held responsible for any damages or performance deterioration if oils different from OL150 are used.

DANGER

Do NOT use ATF Dexron II transmission oils or brake oils which could cause the steering system seizing.

Oils which are compatible with OL150 **ULTRAFLEX** are:

- Shell Tellus T15 and Shell Tellus T22
- Mobil DTE 11M

NOTICE

ULTRAFLEX will not be able to ensure the compatibility of the above mentioned oils with OL150 if the oil manufacturers vary their formulation; in particular, it will not be able to ensure its compliance with standard ISO 10592 concerning hydraulic steering systems. Under no circumstances **ULTRAFLEX** is to be held responsible for any damages or performance deterioration.

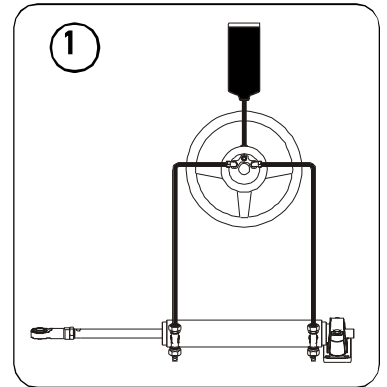
In the days after the filling, check the oil level; if necessary top off the system.

At the beginning the oil level can lower, as small amounts of air can be released in a homogeneous way. According to the types of installation, it is necessary to carry out the different bleeding procedures, as it follows.

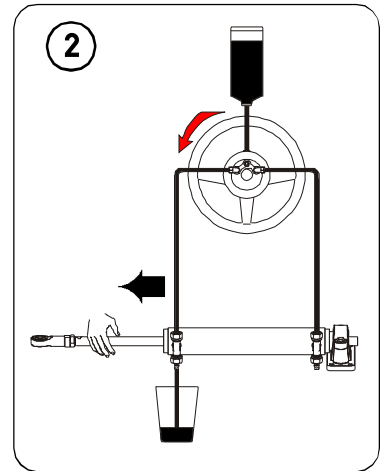


3.5.1 Single steering station/ single cylinder

- Unscrew the two bleed valves and manually push the cylinder body to one side until it stops as shown in picture 1.
- Position the oil bottle as explained in the picture.



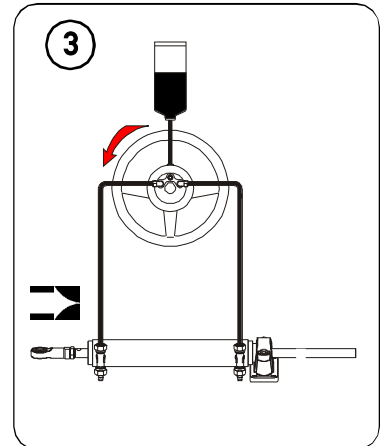
- Close the bleed valve on the cylinder end stroke side and put a purged oil tank near the other bleed valve (as shown in picture 2).
- Turn the steering wheel slowly (as shown in picture 2) so that the oil can come out of hoses.



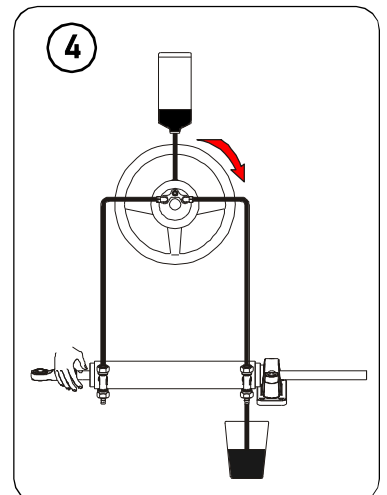
NOTICE

Hold the cylinder body with the hand to prevent movements caused by the air present in the cylinder chamber (picture 2).

- When the oil comes out of the bleed valve (without air bubbles), close the bleed valve and continue to turn the steering wheel in the same direction to fill the cylinder chamber (picture 3). During this phase the cylinder body will move to the opposite direction up to the end stroke.



- Open the other bleed valve and move purged oil tank to the other side. Holding the cylinder body in this position, turn the steering wheel as shown in picture 4, until oil without air bubbles comes out of the bleed valve. Then close the bleed valve.



- Repeat the entire procedure to ensure the absence of air in the system.



3.5.2 Dual steering station/ single cylinder

- Manually unscrew the two bleed valves on the cylinder "T" fittings and push the cylinder up to the end stroke.
- Position the oil bottle near the (upper) main steering station according to what is previously described.

⚠ WARNING

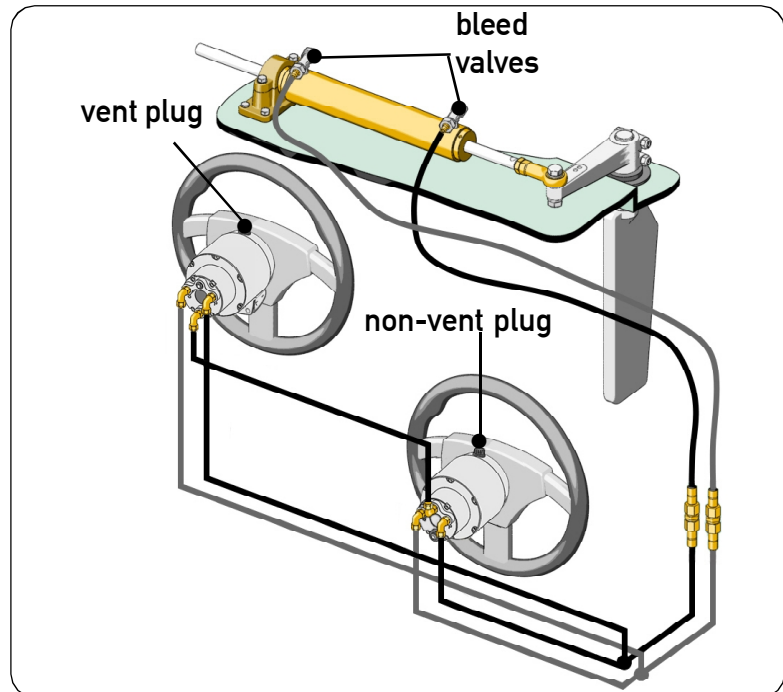
Wait until the oil reaches the lower tank and both tanks are filled.

- Follow the same bleeding procedure described in paragraph 3.5 starting from the lower station and repeat it for the upper station.

⚠ WARNING

For the (lower) additional steering station tank use only the non-vent plug (supplied with the "kit 120U-2S"). For the (upper) main steering station tank use only the vent plug.

- Repeat the procedure at least 3 times to ensure the absence of air in the system.



3.6 General recommendation

⚠ WARNING

It is very important to check the absence of air in the system before using the boat! We recommend trying to manually move the engine towards port and starboard, making sure that there is no movement of the cylinder body on the main cylinder shaft.

If the cylinder body moves more than 1/6 inches (15mm), there is still air in the system. The air presence in the system can cause bad responses to the controls and so it can cause damage, injuries or death.



4 SAFETY WARNINGS

This section shows the safety rules which must be followed for the correct equipment operation. We recommend reading carefully this section and also the other manuals supplied with the steering system components.

4.1 Safety warnings during use and installation

RESPECT STRICTLY the following safety rules:

ULTRAFLEX declines all responsibility in case the user does not follow these rules and it is not responsible for negligence during the use of the system.

DANGER

- **DO NOT PUT HANDS BETWEEN THE MOVING PARTS.**
- Do not disable the safety devices.
- Do not modify or add devices to the system, without **ULTRAFLEX** written authorisation or technical intervention which will prove the modification.
- Do not use the equipment for a purpose different from the one it has been designed for, which is specified in the installation and maintenance manual.
- Do not let non-specialized staff perform the installation.
- Do not disassemble the hydraulic connections before bleeding the oil in the system completely. The hoses can contain high pressure oil.

WARNING

- Do not put the feet on the cylinder.
- Check the system after the installation and the purging but before operating the vessel. Turn the steering wheel until the cylinder/s reaches/reach the end stroke. Turn the steering wheel to the opposite direction. Repeat on each installed helm to verify the correct installation and the system operation.
- Carefully use sealing fluid (such as Loctite). If it reaches the hydraulic system, it may cause damage and mechanical failure.
- Do not use teflon tape or adhesive tape to seal the fittings, as this material may be injected, by causing the system fail.
- During the system installation, prevent foreign matters from entering the system. Even a little object may cause lasting damage that are not detected immediately.
- Avoid too narrow bend radius of hoses.
- Avoid the hose contact with edges or sharp corners.
- Avoid the hose contact with heat sources.

4.2 Clothing

WARNING

During installation, inspection or maintenance,

IT IS STRICTLY FORBIDDEN to wear necklaces, bracelets or clothes which could get caught in the moving parts.



5 MAINTENANCE

5.1 Ordinary maintenance

⚠ WARNING

Poor installation and maintenance may result in loss of steering and cause property damage and/or personal injury. Maintenance requirements change according to climate, frequency and the use. Inspections are necessary at least every year and must be carried out by specialized marine mechanics. Check the cylinder fittings and the seals and the helm gaskets to prevent leaks. Replace them if necessary.

To keep a suitable oil level in the tank, fill and bleed the system as described in this manual in paragraph 3.5.

Check the hose and the entire system wear, the nut and bolt tightening every six months and make sure that they are not damaged.

Clean the system using water and non-abrasive soap.

⚠ WARNING

Use only compatible hydraulic oils, indicated in the paragraph "technical features" and "filling and bleeding". Do not use brake oils or automatic transmission fluid (ATF) in any case.

5.2 Troubleshooting

⚠ WARNING

Whenever the following checks need the removal and/or disassembly of the steering system components, such work must be carried by specialized staff. **ULTRAFLEX** offers general information only and is not responsible for any consequences resulting from incorrect disassembly.

PROBLEM	CAUSE	SOLUTION
During the filling, the steering system becomes completely jammed.	<ul style="list-style-type: none"> Blockage in the hoses between steering system and cylinder. 	<ul style="list-style-type: none"> Replace hoses. <p>⚠ WARNING The damaged hose must be replaced, otherwise it may cause loss of steering and severe personal injury or property damage.</p>
The system is very difficult to fill. Air keeps bubbling at the top of the steering system tank even after filling the system completely.	<ul style="list-style-type: none"> Air in the system. 	<ul style="list-style-type: none"> Repeat the filling and the bleeding procedure of the system. Install horizontally the hoses and in any case with a maximum inclination of 3cm each meter.
	<ul style="list-style-type: none"> Leaks from the cylinder bleeder. 	<ul style="list-style-type: none"> Tighten the bleeder on the cylinder.
	<ul style="list-style-type: none"> Coiled hose. 	<ul style="list-style-type: none"> Uncoil and straighten the hose.
	<ul style="list-style-type: none"> Helm has been mounted upside down. 	<ul style="list-style-type: none"> Mount the helm with the filling hole in up position.
The steering system is stiff and hard to turn, even when the boat is not moving.	<ul style="list-style-type: none"> Restrictions in hoses or fittings. 	<ul style="list-style-type: none"> Look for and remove the restriction.
	<ul style="list-style-type: none"> Air in oil 	<ul style="list-style-type: none"> Repeat the filling and the bleeding procedure of the system.



<p>The steering system is stiff and hard to turn, even when the boat is not moving.</p>	<ul style="list-style-type: none"> • Wrong oil has been used. 	<ul style="list-style-type: none"> • Drain the filling and bleeding system. <p>⚠ WARNING ULTRAFLEX is not responsible for damage caused by fluids that are not recommended in this manual and so the warranty is cancelled.</p>
<p>The steering system is stiff and hard to turn, even when the boat is not moving, if unbalanced cylinders are used.</p>	<ul style="list-style-type: none"> • Dirt in the valve. 	<p>⚠ WARNING Do not use the boat and contact a specialized technician for the valve cleaning.</p>
<p>The steering system is easy to turn at the dock but becomes hard to turn when the boat is in motion.</p>	<ul style="list-style-type: none"> • The steering wheel is too small. 	<ul style="list-style-type: none"> • Replace the steering wheel with a bigger one. <p>⚠ WARNING Only within the maximum dimensions allowed by the helm.</p>
	<ul style="list-style-type: none"> • Incorrect setting of the torque tab. 	<ul style="list-style-type: none"> • Adjust the torque tab.
	<ul style="list-style-type: none"> • Air in oil. 	<ul style="list-style-type: none"> • Check the oil level and repeat the bleeding procedure as explained in this manual.
<p>When the steering wheel is turned, the rod (movable rod cylinders) or the body (fixed cylinder rod) of the cylinder do not move.</p>	<ul style="list-style-type: none"> • Air in the system. 	<ul style="list-style-type: none"> • Repeat the filling and bleeding procedure of the system.
	<ul style="list-style-type: none"> • Oil leak. 	<ul style="list-style-type: none"> • Look for the leak and contact specialized staff.
	<ul style="list-style-type: none"> • Helm mounted upside down. 	<ul style="list-style-type: none"> • Mount the helm with the filling hole in up position.
<p>Leaks from steering system fittings.</p>	<ul style="list-style-type: none"> • Bad tightening or low torque of the fittings. 	<ul style="list-style-type: none"> • Tighten the fittings with a maximum torque of 20Nm (15 in.lbs).
	<ul style="list-style-type: none"> • Lack of fitting sealant. <p>⚠ WARNING Never use teflon tape or adhesive tape on any fitting.</p>	<ul style="list-style-type: none"> • Drain and disassemble the steering system. Remove the fittings and remove the oil from threads. Put the sealant on the fittings and tighten them, install the helm. <p>⚠ WARNING After this operation it is necessary to carry out another bleeding.</p>
<p>Leaks from the tank plug.</p>	<ul style="list-style-type: none"> • Bad tightening of the plug. 	<ul style="list-style-type: none"> • Tighten the plug.
	<ul style="list-style-type: none"> • The vent plug (black) on the additional helm is in the lower position. 	<ul style="list-style-type: none"> • Replace the vent plug (black) with the plug for the additional helm kit (silver).
	<ul style="list-style-type: none"> • Worn and damaged seal. 	<ul style="list-style-type: none"> • Replace the plug.
	<ul style="list-style-type: none"> • Too high oil level. 	<ul style="list-style-type: none"> • Follow the procedure to maintain the suitable oil level, which is described in the pump manual.



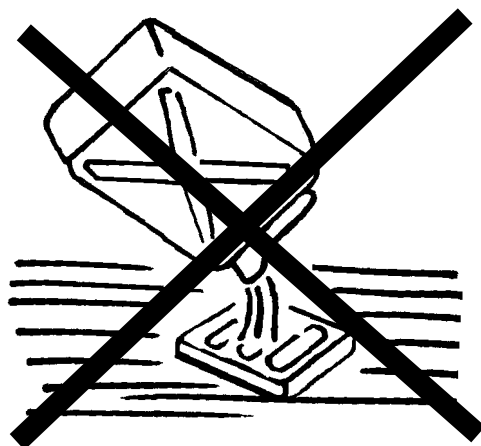
6 DISMANTLING

6.1 Dismantling

When for any reason, the steering system is put out of service, it is necessary to follow some rules in order to respect the environment.

Sheaths, pipelines, plastic or non-metallic components must be disassembled and disposed of separately.

*The steering system CONTAINS POLLUTING OILS
which must be disposed of according to the rules in force in the country.*



Manuale di installazione e manutenzione

CILINDRO IDRAULICO PER MOTORI ENTROBORDO UC 378



ITALIANO

CE



ULTRAFLEX



SOCIO





Gentile Cliente,

La ringraziamo per aver scelto un prodotto **ULTRAFLEX**.

ULTRAFLEX è da anni un punto di riferimento nei sistemi di guida nel settore della nautica da diporto e professionale.

Da sempre la produzione **ULTRAFLEX** è sinonimo di grande affidabilità e sicurezza.

Tutti i prodotti **ULTRAFLEX** sono progettati e prodotti per garantire sempre le prestazioni migliori, relativamente allo scopo per cui sono concepiti.

Per tutelare la Vostra sicurezza e per mantenere sempre un alto livello qualitativo **ULTRAFLEX** garantisce i propri prodotti solo se utilizzati con i ricambi originali.

I Sistemi di Gestione Qualità **ULTRAFLEX** ed **UFLEX** sono certificati CISQ-IQNet dal RINA Registro Italiano Navale, in conformità alla Norma UNI EN ISO 9001:2008. Certificato **ULTRAFLEX** n° 6669/02/S (già 420/96). Certificato **UFLEX** n°8875/03/S.

Il sistema Qualità coinvolge tutte le risorse ed i processi aziendali a partire dalla progettazione, per:

- garantire al cliente la qualità del prodotto;
- impostare le azioni per mantenere e migliorare nel tempo gli standard di qualità;
- perseguire un continuo miglioramento dell'efficacia e dell'efficienza dei processi per poter essere sempre in sintonia con le esigenze del mercato ed accrescere la soddisfazione dei Clienti.

Il sistema di Gestione Ambientale Ultraflex è certificato da CISQ-IQNet dal RINA Registro Italiano Navale, in conformità alla Norma UNI EN ISO 14001. Certificato **ULTRAFLEX** n° EMS-1282/S.

I prodotti destinati alla nautica da diporto vengono costantemente controllati per verificare la rispondenza ai requisiti imposti dalla direttiva 2013/53/UE.



"**ULTRAFLEX**, con più di 80 anni di esperienza nel settore nautico è oggi leader globale nella produzione di sistemi di guida meccanici, idraulici ed elettronici, scatole di comando e volanti per imbarcazioni a motore da diporto, da pesca o da lavoro di ogni dimensione e tipo di motorizzazione.

L'affidabilità dei nostri prodotti ed il servizio ante e post vendita, la qualità dell'organizzazione aziendale e delle risorse umane insieme agli investimenti continui in ricerca e sviluppo sono fattori determinanti per spiegare il successo crescente dei nostri prodotti ovunque nel mondo".

INDICE GENERALE

USO DEL MANUALE E SIMBOLOGIA IMPIEGATA.....	24
LETTERA INFORMATIVA.....	25
GARANZIA.....	25

SEZIONE 1 - DESCRIZIONE DEL PRODOTTO

1.1 FUNZIONAMENTO DI UN SISTEMA DI GUIDA IDRAULICO.....	26
1.2 AVVERTENZE PER IL CORRETTO UTILIZZO DEL PRODOTTO.....	26
1.3 CONFIGURAZIONI DEL SISTEMA.....	27
1.4 DESCRIZIONE DEL CILINDRO.....	28
1.5 CARATTERISTICHE TECNICHE DEL CILINDRO.....	28

SEZIONE 2 - TRASPORTO

2.1 AVVERTENZE GENERALI.....	29
2.2 CONTENUTO IMBALLO.....	29

SEZIONE 3 - INSTALLAZIONE

3.1 UTENSILI NECESSARI.....	30
3.2 INSTALLAZIONE DEL CILINDRO.....	30
3.3 INSTALLAZIONE TUBI.....	32
3.4 TIPI DI INSTALLAZIONE.....	33
3.5 RIEMPIMENTO E SPURGO.....	34
3.5.1 STAZIONE DI GUIDA SINGOLA/CILINDRO SINGOLO.....	35
3.5.2 STAZIONE DI GUIDA DOPPIA/CILINDRO SINGOLO.....	36
3.6 RACCOMANDAZIONE GENERALE.....	36

SEZIONE 4 - AVVERTENZE DI SICUREZZA

4.1 NORME DI SICUREZZA DURANTE L'INSTALLAZIONE E L'USO.....	37
4.2 ABBIGLIAMENTO.....	37

SEZIONE 5 - MANUTENZIONE

5.1 MANUTENZIONE ORDINARIA.....	38
5.2 RICERCA GUASTI.....	38

SEZIONE 6 - SMANTELLAMENTO

6.1 SMANTELLAMENTO.....	40
-------------------------	----

USO DEL MANUALE E SIMBOLOGIA IMPIEGATA

IL MANUALE DI INSTALLAZIONE E MANUTENZIONE è il documento che accompagna il prodotto dal momento della sua vendita fino alla sua sostituzione e smaltimento. Risulta cioè essere parte integrante dello stesso. E' richiesta la lettura del manuale prima che venga intrapresa QUALSIASI ATTIVITA' che coinvolga il prodotto compresa la movimentazione e lo scarico dello stesso dal mezzo di trasporto.

Al fine di tutelare la sicurezza dell'utilizzatore e per garantire il corretto funzionamento del prodotto nel presente manuale è stata adottata la simbologia di seguito descritta.

⚠ PERICOLO



Danni immediati che CAUSANO ferite gravi alla persona o che portano alla morte.

⚠ AVVERTENZA



Indica che esiste un pericolo che può causare lesione o morte se non sono adottate le precauzioni appropriate.

⚠ ATTENZIONE



Indica un richiamo all'applicazione di pratiche di sicurezza oppure richiama l'attenzione su pratiche non sicure che potrebbero causare lesione personale o danno all'imbarcazione o ai componenti o all'ambiente.

NOTA

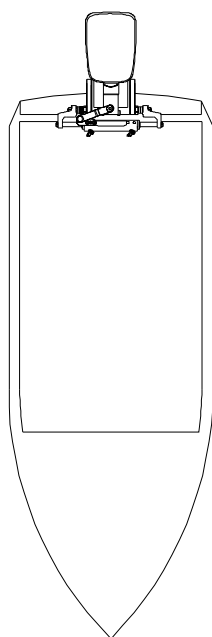


Informazione ritenuta importante per una installazione adeguata e per la manutenzione, che non è causa di danni.



Le operazioni per la cui esecuzione si richiede, onde evitare possibili rischi, personale qualificato o specializzato sono evidenziate con il simbolo indicato a lato. Si raccomanda di formare il personale destinato all'installazione del prodotto e di verificare che quanto previsto sia compreso ed attuato.

POPPA
(STERN)



TRIBORDO
DRITTA
(STARBOARD)

BABORDO
SINISTRA
(PORT)



La figura a lato ha la funzione di facilitare l'interpretazione di alcuni termini nautici contenuti nel presente manuale.

PRUA
(BOW)



LETTERA INFORMATIVA

Il presente manuale di installazione e manutenzione costituisce parte integrante del prodotto e deve essere facilmente reperibile dal personale addetto all'uso e alla manutenzione dello stesso.

L'utilizzatore è tenuto a conoscere il contenuto del presente manuale.

ULTRAFLEX declina ogni responsabilità per eventuali inesattezze dovute ad errori di stampa, contenute nel manuale.

Ferme restando le caratteristiche essenziali del prodotto descritto, **ULTRAFLEX** si riserva il diritto di apportare eventuali modifiche di descrizioni, dettagli e illustrazioni, che riterrà opportuno per il miglioramento dello stesso, o per esigenze di carattere costruttivo o commerciale, in qualunque momento e senza impegnarsi ad aggiornare tempestivamente questa pubblicazione.

TUTTI I DIRITTI SONO RISERVATI. I diritti di pubblicazione, i marchi, le sigle e le fotografie dei prodotti **ULTRAFLEX** presenti in questo manuale sono di proprietà **ULTRAFLEX** che ne vieta qualsiasi riproduzione anche parziale. Ogni cura è stata posta nella raccolta e nella verifica della documentazione per rendere questo manuale il più completo e comprensibile possibile. Nulla di quanto contenuto nella presente pubblicazione può essere interpretato come garanzia o condizione espressa o implicita - inclusa, non in via limitativa, la garanzia di idoneità per un particolare scopo. Nulla di quanto contenuto nella presente pubblicazione può inoltre essere interpretato come modifica o asserzione dei termini di qualsivoglia contratto di acquisto.

AVVERTENZA

Al fine di assicurare il corretto funzionamento del prodotto e dei suoi componenti, lo stesso deve essere installato da personale esperto. In caso di rotture di parti componenti o malfunzionamento, rivolgersi al personale specializzato o contattare il nostro Servizio Assistenza Tecnica.

SERVIZIO ASSISTENZA TECNICA

UFLEX S.r.l.

Via Milite Ignoto,8A
16012 Busalla (GE)-Italia
Tel: +39.010.962.0239 (Italia)
Tel: +39.010.962.0244 (Estero)
Fax: +39.010.962.0333
Email: ut@ultraflexgroup.it
www.ultraflexgroup.it

Nord - Sud - Centro America:

UFLEX USA

6442 Parkland Drive
Sarasota, FL 34243
Tel: +1.941.351.2628
Fax: +1.941.360.9171
Email: uflex@uflexusa.com
www.uflexusa.com

GARANZIA

ULTRAFLEX garantisce che i suoi prodotti sono costruiti a regola d'arte e che sono privi di difetti di fabbricazione e di materiali.

Questa garanzia è valida per un periodo di due anni decorrenti dalla data di fabbricazione dei prodotti ad eccezione dei casi in cui questi siano installati ed usati su barche da lavoro o comunque su barche ad utilizzo commerciale, nel qual caso la garanzia è limitata ad 1 anno dalla data di fabbricazione.

Questa garanzia è limitata alla sostituzione o riparazione gratuita del pezzo che, entro il termine suddetto, ci sarà restituito in porto franco e che rileveremo essere effettivamente difettoso nei materiali o/e nella fabbricazione.

È escluso dalla garanzia ogni e qualsiasi altro danno diretto o indiretto. In particolare, è escluso dalla garanzia e da ogni nostra responsabilità (tranne quella di sostituire o riparare, nei termini e condizioni suddette, i pezzi difettosi) il malfunzionamento dei nostri prodotti qualora il loro mancato o difettoso funzionamento sia attribuibile ad una errata installazione o ad uso negligente o improprio.

Questa garanzia non copre i prodotti installati su barche da corsa o utilizzate in contesti competitivi. Le descrizioni e le illustrazioni di questo manuale s'intendono fornite a titolo indicativo.

Per informazioni dettagliate si prega di contattare il nostro Servizio Assistenza.

I componenti dei sistemi di guida **ULTRAFLEX** sono marcati **CE** come richiesto dalla direttiva 2013/53/UE.

Vi ricordiamo che sulle imbarcazioni marcate CE è obbligatorio installare sistemi di guida i cui componenti siano marcati CE. Vi informiamo che la garanzia **ULTRAFLEX** decade automaticamente qualora alcuni componenti **ULTRAFLEX** siano installati in un sistema di guida insieme a prodotti di altre marche.



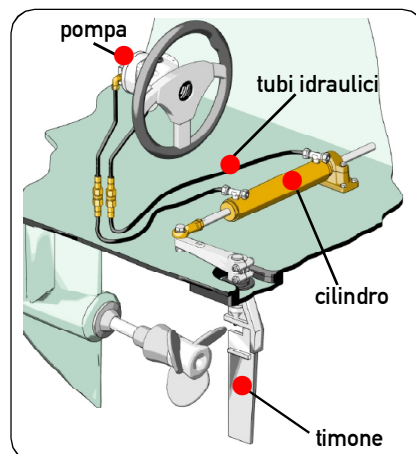
1 DESCRIZIONE DEL PRODOTTO

1.1 Funzionamento di un sistema di guida idraulico

I sistemi idraulici di guida **ULTRAFLEX** sono progettati in conformità alla normativa UNI-EN-ISO 10592 ed alla A.B.Y.C. P21.

I sistemi di guida **ULTRAFLEX** sono in grado di operare in un campo di temperatura ambiente compreso tra -18°C (0°F) e $+77^{\circ}\text{C}$ ($+170^{\circ}\text{F}$), tutti i loro componenti sono stati realizzati specificatamente per l'ambiente marino, utilizzando materiali e processi di fabbricazione che offrono grande durata e sicurezza anche nelle condizioni più estreme.

Il sistema di guida idraulico in una imbarcazione è schematicamente costituito da una pompa posta sul cruscotto, da un cilindro posizionato a poppa e collegato al motore o al timone e dai tubi idraulici di collegamento (vedi figura). La rotazione del volante provoca il pompaggio dell'olio che, a seconda del senso di rotazione, affluisce attraverso i tubi al cilindro.



Il conseguente movimento del cilindro fa defluire l'olio verso la pompa attraverso i tubi e nello stesso tempo sposta il motore o il timone dell'imbarcazione collegati al cilindro stesso. Le pompe dotate di una valvola di non ritorno, che ha la funzione d'impedire il flusso dell'olio alla pompa se questa non viene azionata, rendono possibile il funzionamento dei sistemi con due o più stazioni di guida. I cilindri sono a doppia azione e possono essere bilanciati o non bilanciati. Nei cilindri non bilanciati le due camere hanno volumi differenti e pertanto richiedono, a parità di spostamento nei due sensi, un diverso numero di giri del volante e un diverso sforzo di rotazione sul volante. I cilindri bilanciati richiedono lo stesso numero di giri del volante per spostare il timone da centro a fine corsa nelle due direzioni opposte. Un sistema di guida equilibrato e facilmente manovrabile richiede una corretta scelta del tipo di pompa da accoppiare al cilindro. **ULTRAFLEX** costruisce diversi modelli di pompe, che differiscono per la portata (cm^3 di olio movimentati ad ogni giro del volante) e per il tipo di installazione. Quando si sceglie la pompa bisogna considerare il volume del cilindro. Il numero di giri del volante da sinistra a destra è infatti determinato dal rapporto tra il volume del cilindro e la portata della pompa.

Esempio: se la pompa ha una portata di 28 cm^3 [$1,7 \text{ cu.in.}$] e il cilindro ha un volume di 120 cm^3 [$7,3 \text{ cu.in.}$] si applica la formula: $120/28=4,2$. Il volante pertanto ruoterà circa 4 volte prima che il cilindro sia completamente spostato da una parte all'altra. Nel caso di installazioni con due cilindri connessi in parallelo occorre sommare il volume dei cilindri. Non sono raccomandabili accoppiamenti con meno di 4 giri, che richiedono un'eccessiva forza di guida, o più di 8 giri che rendono lenta la risposta dell'imbarcazione alla timoneria.

1.2 Avvertenze per il corretto utilizzo del prodotto

⚠ PERICOLO

In qualsiasi caso non modificare il cilindro di guida per adattarlo alla vostra applicazione. In questo caso il cilindro non opererà in sicurezza e metterà in pericolo l'imbarcazione e i suoi occupanti.

⚠ AVVERTENZA

I sistemi di guida **ULTRAFLEX** non devono essere applicati su imbarcazioni equipaggiate con motorizzazioni che superano le potenze massime installabili stabilite dal cantiere.

⚠ AVVERTENZA

Il cilindro UC 378 non è consigliato per installazioni su barche da corsa.

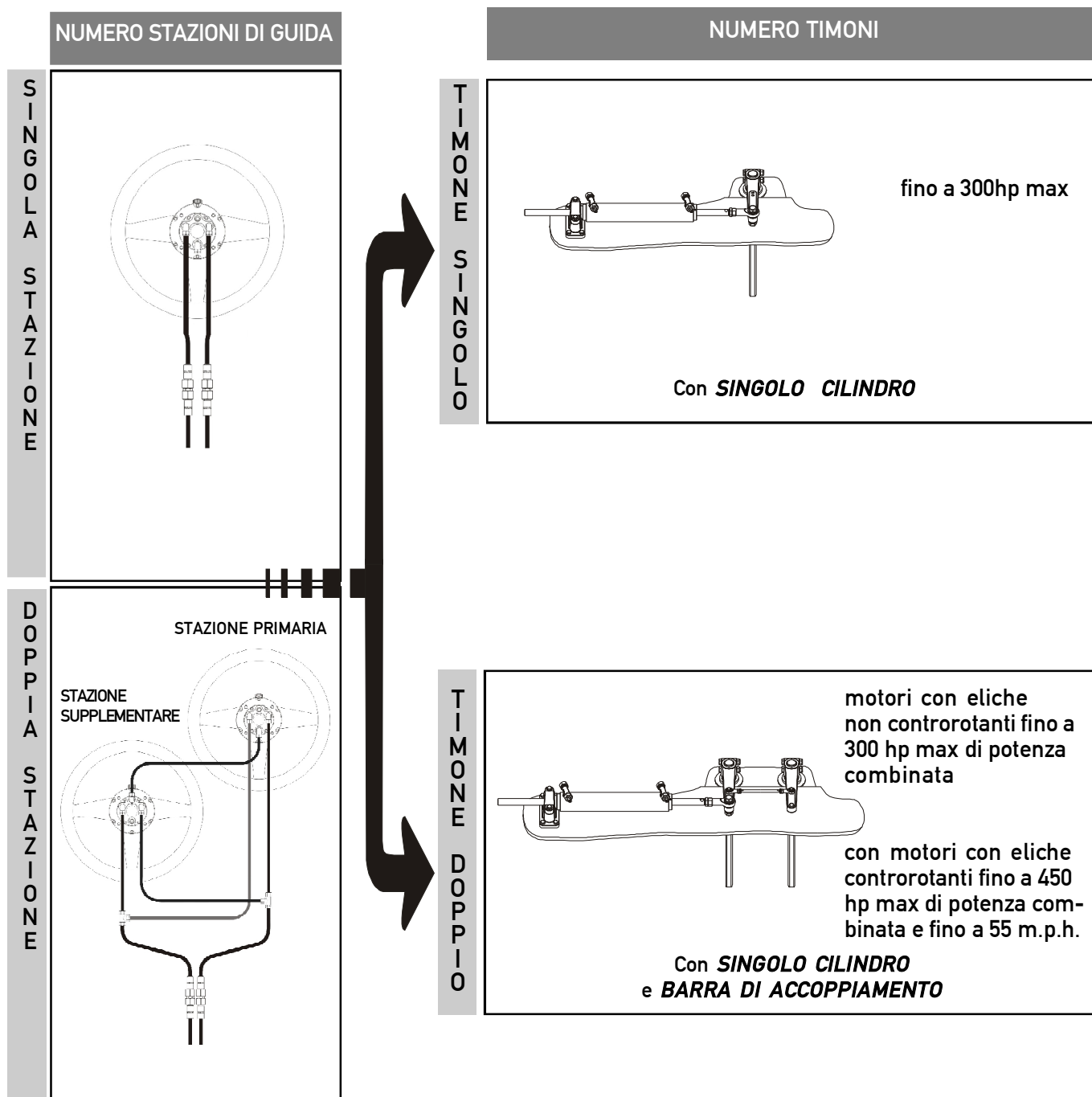
⚠ AVVERTENZA

Per installazioni con doppio timone, la potenza combinata dei motori non deve superare i 450hp e la velocità dell'imbarcazione non deve superare le 55 m.p.h.



1.3 Configurazioni del sistema

Il cilindro idraulico per motori entrobordo modello UC 378 può essere installato in diverse configurazioni in funzione del numero e del tipo di motori utilizzati in accoppiamento ad un sistema di guida singola o doppia. Le configurazioni possibili sono:



ITALIANO

NOTA

In caso di installazioni con doppio timone è obbligatorio utilizzare una barra di accoppiamento.
 In caso di installazione con doppia stazione, è obbligatorio utilizzare due timonerie dotate di valvola di non ritorno.

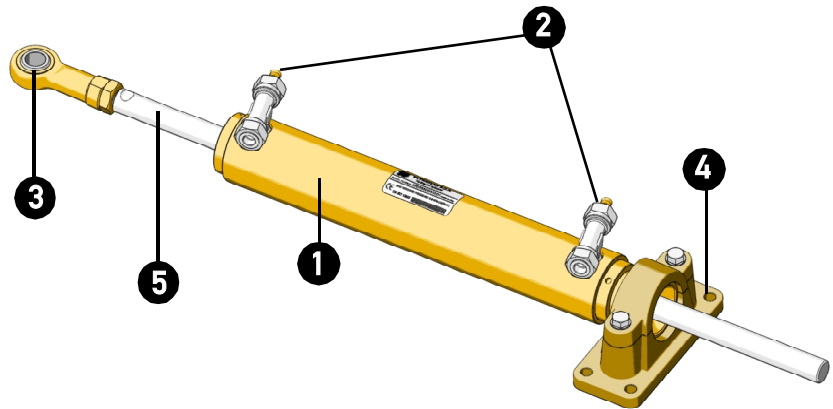


1.4 Descrizione del cilindro

Il cilindro idraulico entroborde UC 378 è progettato e costruito per essere utilizzato come componente di un sistema di guida idraulico come descritto nel paragrafo precedente.

Il cilindro a stelo mobile viene applicato direttamente al braccetto del timone attraverso l'apposito snodo sferico di cui è dotato nella sua parte terminale. Dal lato opposto viene fissato direttamente all'imbarcazione, attraverso un supporto dotato di piastra (vedi par. 3.2). Per applicazioni con doppio timone, il cilindro singolo deve essere montato con barra di accoppiamento (vedi par. 1.3). La figura di seguito mostra i componenti principali del cilindro:

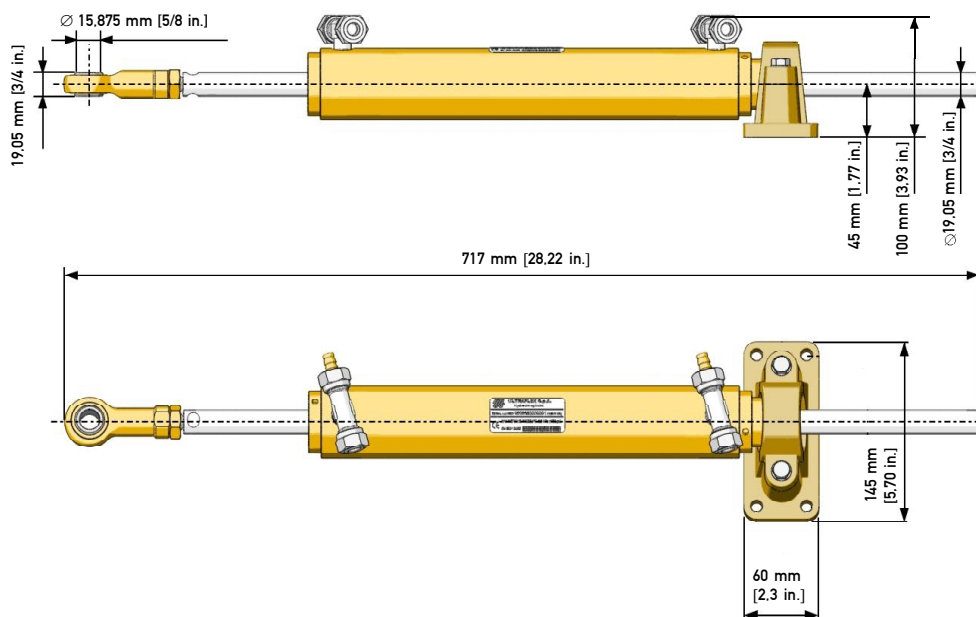
- ① Corpo del cilindro
- ② Raccordi di connessione e spurgo
- ③ Snodo sferico
- ④ Supporto con staffa di fissaggio
- ⑤ Stelo



1.5 Caratteristiche tecniche del cilindro

SPECIFICHE	UC 378
Volume	376 cc - 23 cu. in
Spinta	1177 kg - 2595 lbs (@70 bar)
Coppia	187,6 Kg/m - 16347 lbs/in. (@70 bar)
Diametro interno	50 mm - 1.96"
Corsa	228 mm - 8.97"
Olio	OL150 Ultraflex

Dimensioni di ingombro:



2 TRASPORTO

2.1 Avvertenze generali

Il peso del prodotto con il suo imballo è di circa 9Kg (19 pounds) e quindi la sua movimentazione può essere effettuata manualmente.

⚠ AVVERTENZA

Il personale addetto alla manipolazione del carico deve operare con guanti protettivi e scarpe anti infortunistiche.

2.2 Contenuto imballo

Prima dell'utilizzo del cilindro verificare che non abbia subito danneggiamenti dovuti al trasporto o alle condizioni di conservazione. Verificare inoltre che tutti i componenti forniti di serie siano contenuti nell'imballo (vedi elenco). In caso di danneggiamento, notificare il reclamo allo spedizioniere ed avvisare il vostro fornitore.



- A) Cilindro
- B) 2 tubi flessibili di collegamento cilindro-impianto
- C) 2 raccordi di collegamento tubi flessibili-impianto con tubo da 12mm (0.5")

⚠ ATTENZIONE

L'imballo deve essere smaltito secondo le direttive vigenti.



3 INSTALLAZIONE

3.1 Utensili necessari



Chiave
esagonale
22 mm (0.86")



Chiave
esagonale
24 mm (0.94")



Chiave
dinamometrica

3.2 Installazione del cilindro



⚠ PERICOLO

Un braccio (1) più corto di quello indicato potrebbe mandare in fine corsa il timone anziché il cilindro provocando la rottura del sistema di guida e la conseguente perdita di controllo dell'imbarcazione.

⚠ AVVERTENZA

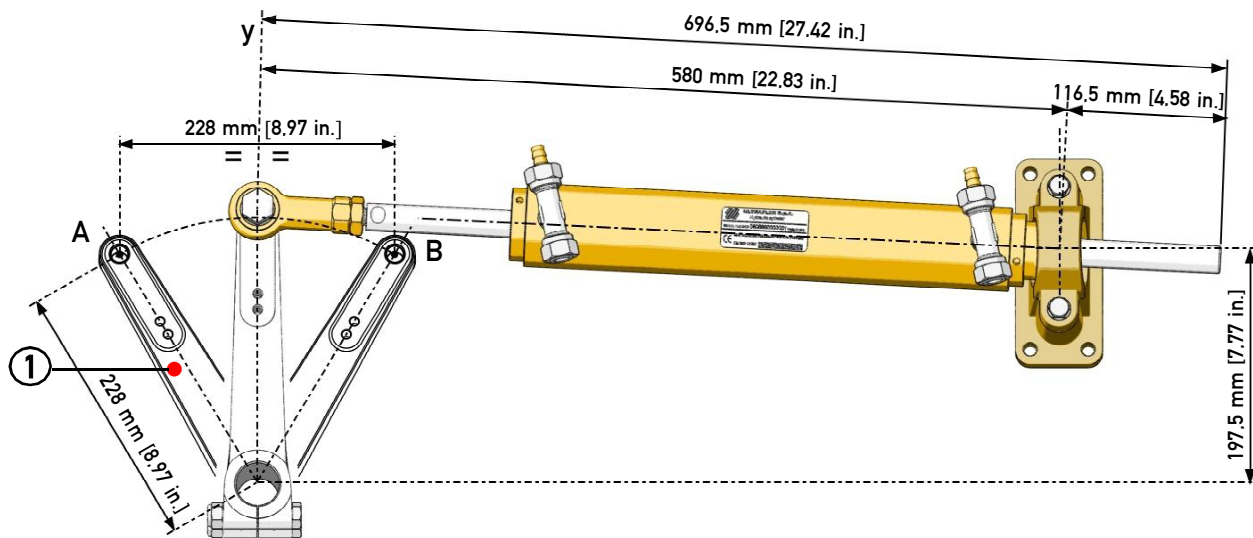
Un braccio (1) più lungo riduce l'angolo di sterzata.

NOTA

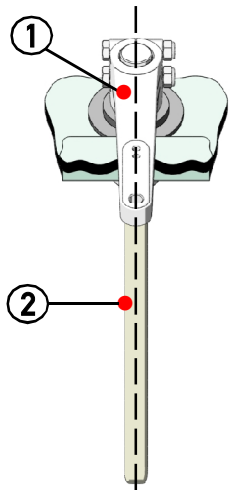
Se il braccetto non è già montato, consultare le istruzioni di montaggio del costruttore del braccetto.

NOTA

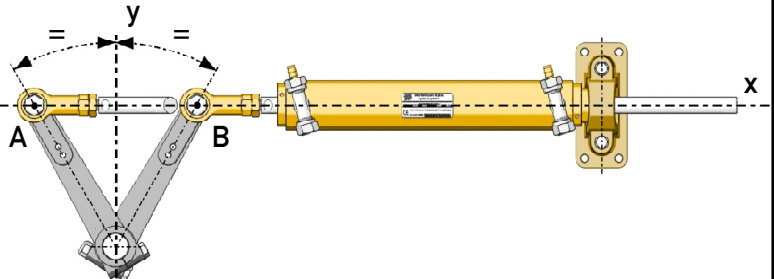
Se il braccetto corrisponde alle dimensioni riportate in figura, seguire lo schema di montaggio rappresentato qui sotto, altrimenti seguire le indicazioni a pagina seguente.



1 Verificare che il braccetto (1) e la pala del timone (2) siano allineati, quindi centrarli rispetto all'asse longitudinale.



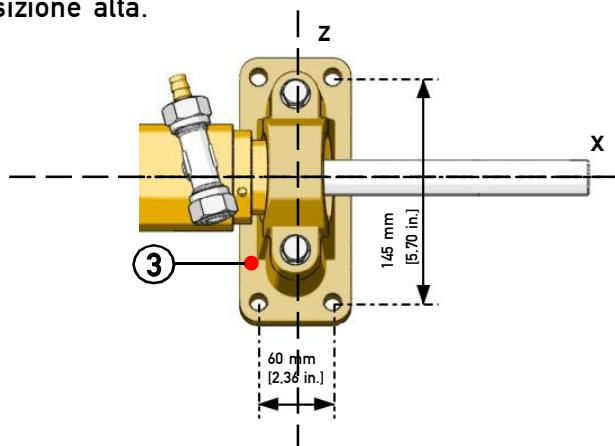
2 Procedere al montaggio cercando la linea immaginaria "x", parallela allo specchio di poppa, che unisce il foro del braccetto nelle due posizioni di fine corsa del cilindro "A" e "B" quando gli angoli tra le due posizioni "A" e "B" e l'asse longitudinale "y" sono uguali. Tale linea sarà l'asse di montaggio del cilindro.



3 Verificare che l'asse "z" della staffa (3) sia perpendicolare all'asse "x" del cilindro. Fissare la staffa (3) su un supporto adeguato con 4 viti di diametro 8 mm (5/16") e 4 dadi autobloccanti in acciaio inossidabile adatte a sopportare le forze in gioco (viti e dadi non forniti).

NOTA

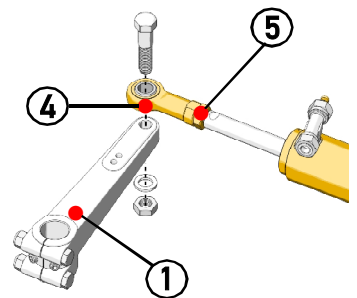
I raccordi per l'olio devono essere sempre in posizione alta.



4 Collegare lo snodo (4) al braccetto (1); il braccetto deve essere sotto allo snodo (seguire le indicazioni del costruttore del braccetto).

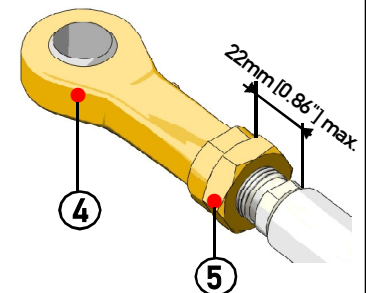
⚠ AVVERTENZA

Lo snodo sferico (4) deve essere bloccato tramite il controdado di sicurezza (5) con una coppia di $100 \pm 10 \text{ Nm}$ ($73.8 \pm 7.38 \text{ lb-ft}$) (chiavi da 22mm e 24mm - 0.86" e 0.94").



⚠ AVVERTENZA

La regolazione fine non deve eccedere la misura indicata in figura.



⚠ ATTENTION

Verificare che il cilindro nelle due posizioni di fine corsa "A" e "B" sia allineato in posizione orizzontale (parallela allo specchio di poppa dell'imbarcazione). Muovere il timone avanti e indietro per controllare il libero movimento del cilindro e che tali posizioni siano speculari all'asse "y" come indicato in figura 2.

Assicurarsi che non ci siano impedimenti nel movimento degli snodi sferici.

⚠ PERICOLO

Verificare che il cilindro e non il timone vada in fine corsa.

Nel caso di collegamento dei due timoni con barra d'accoppiamento, il cilindro può essere collegato direttamente alla barra d'accoppiamento o ad uno dei due braccetti del timone; a tal proposito seguire le istruzioni fornite con i braccetti e/o con la barra di accoppiamento.



3.3 Installazione tubi



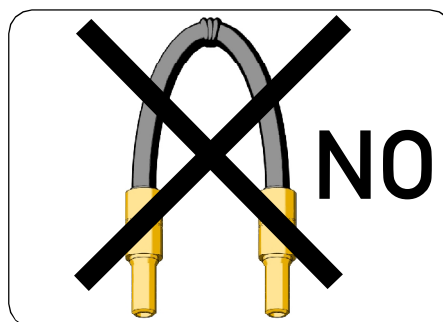
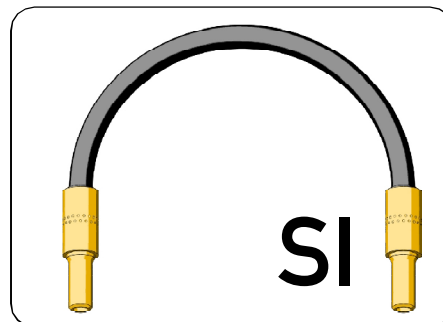
I due raccordi montati sul corpo del cilindro sono già orientati e pronti per essere utilizzati.

⚠ PERICOLO

I raccordi montati sul cilindro NON sono orientabili. Il loro eventuale svitamento ne comporta la conseguente rottura rendendo il cilindro inutilizzabile.

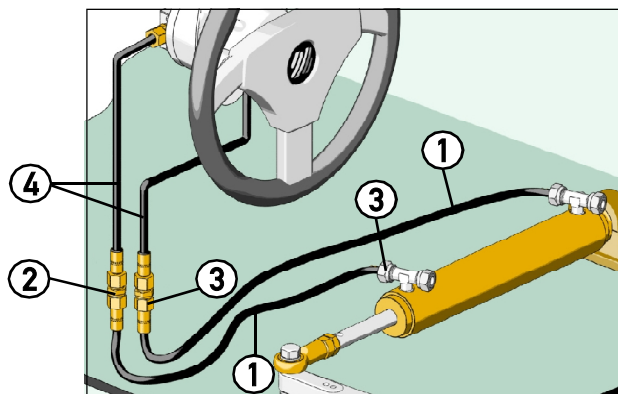
⚠ AVVERTENZA

Una curvatura eccessiva del tubo potrebbe causarne la rottura interna compromettendo il buon funzionamento del sistema. In tal caso occorre sostituire il tubo danneggiato.



Collegare le tubazioni flessibili fornite (1) al cilindro e ai raccordi forniti (2) serrando con una chiave da 22 mm (0,86") i dadi con ogiva (3) con una coppia di 45-50 Nm (33,2-36,9 lb-ft).

Nello stesso modo, collegare i tubi rigidi (4) alla pompa e ai raccordi (2).



NOTA

Il montaggio della tubazione rigida (4) (taglio, curvatura e passaggio paratia) dovrà essere effettuato da personale specializzato attenendosi alle indicazioni del costruttore. In caso di tubazioni di rame o acciaio il flussaggio è obbligatorio.



3.4 Tipi di installazione



NOTA

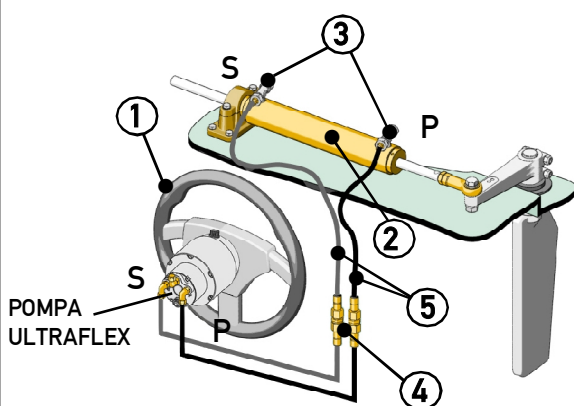
Riferendosi all'imbarcazione la tubazione collegata al lato port (P) della pompa deve sempre essere collegata al raccordo al lato port (P) mentre la tubazione collegata al lato starboard (S) della pompa deve essere collegata al raccordo al lato starboard (S).

ATTENZIONE

Eseguire sempre con attenzione l'esatto collegamento dei tubi come rappresentato nelle seguenti illustrazioni.

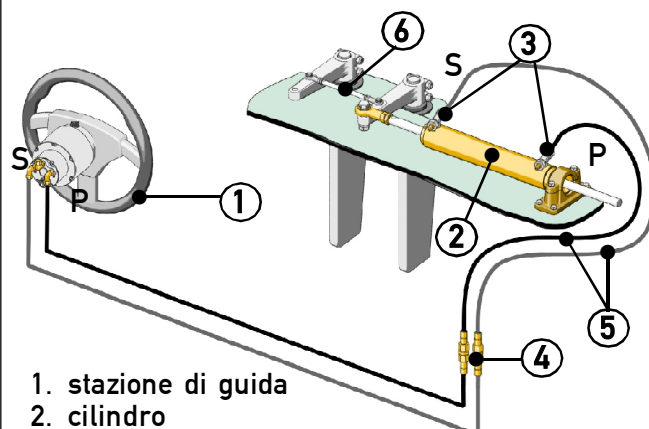
Il cilindro idraulico per motori entrobordo modello UC 378 può essere installato in diverse configurazioni in funzione del numero e del tipo di motori utilizzati in accoppiamento ad un sistema di guida a singola o doppia stazione.

SINGOLA STAZIONE / CILINDRO SINGOLO:



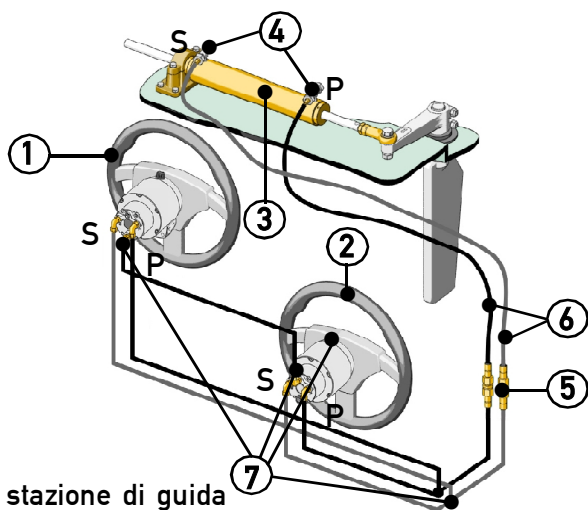
1. stazione di guida
2. cilindro
3. raccordi a T con valvole di spurgo
4. raccordi di collegamento forniti
5. tubi flessibili forniti

SINGOLA STAZIONE / CILINDRO SINGOLO CON DOPPIO TIMONE:



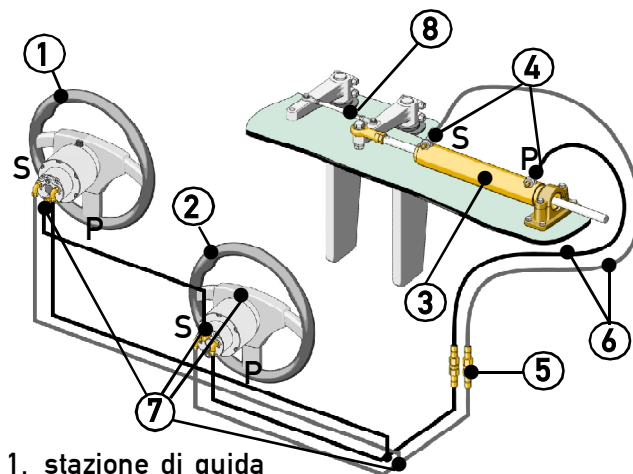
1. stazione di guida
2. cilindro
3. raccordi a T con valvole di spurgo
4. raccordi di collegamento forniti
5. tubi flessibili forniti
6. barra di accoppiamento

DOPPIA STAZIONE / CILINDRO SINGOLO:



- | | |
|---------------------------------------|-------------------------------------|
| 1. stazione di guida primaria | 5. raccordi di collegamento forniti |
| 2. stazione di guida supplementare | 6. tubi flessibili forniti |
| 3. cilindro | 7. kit 120U-2S |
| 4. raccordi a T con valvole di spurgo | |

DOPPIA STAZIONE / CILINDRO SINGOLO CON DOPPIO TIMONE:



- | | |
|---------------------------------------|-------------------------------------|
| 1. stazione di guida primaria | 5. raccordi di collegamento forniti |
| 2. stazione di guida supplementare | 6. tubi flessibili forniti |
| 3. cilindro | 7. kit 120U-2S |
| 4. raccordi a T con valvole di spurgo | 8. Barra di accoppiamento |

3.5 Riempimento e spurgo



Dopo la prima installazione e a seguito di eventuali interventi di manutenzione occorre eseguire l'operazione di riempimento del sistema con olio idraulico. Questa operazione ha lo scopo di eliminare completamente l'aria dall'impianto garantendo il buon funzionamento del sistema. Il sistema idraulico deve essere riempito dal punto più alto del sistema stesso, ossia a livello della stazione di comando superiore.

⚠ ATTENZIONE

Per evitare che si formino bolle d'aria nell'olio, è necessario riempire lentamente il serbatoio.

⚠ AVVERTENZA

Le operazioni di riempimento e spurgo devono essere effettuate almeno da due operatori.

⚠ PERICOLO

Usare olio **ULTRAFLEX** o olii compatibili.

L'olio idraulico OL150 è specificatamente formulato per **ULTRAFLEX** allo scopo di mantenere più a lungo nel tempo l'alto livello qualitativo e di performance dei prodotti **ULTRAFLEX**.

La sua particolare formula "Zinco Free" favorisce la protezione dall'ossidazione marina.

La particolare miscela di componenti antiusura e stabilizzanti, di cui OL150 è composto, consentono di ottenere un ottimo risultato in termini di vita del prodotto e costanza di prestazione nelle diverse condizioni ambientali. L'olio idraulico **ULTRAFLEX** risponde alla normativa ISO 10592 relativa ai sistemi di guida idraulici.

ULTRAFLEX non è responsabile di eventuali danni o cali prestazionali dovuti all'utilizzo di oli idraulici diversi da OL150.

⚠ PERICOLO

NON utilizzate in nessun caso oli da trasmissione tipo ATF Dexron II o oli per freni che potrebbero provocare il bloccaggio del sistema di guida.

Oli compatibili con OL150 **ULTRAFLEX** sono:

- Shell Tellus T15 e Shell Tellus T22
- Mobil DTE 11M

NOTA

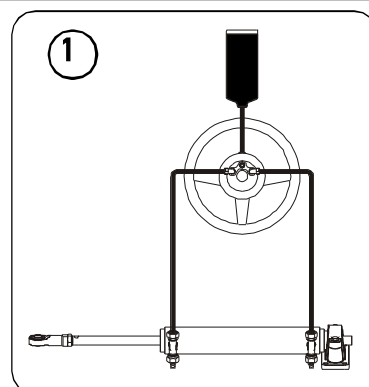
ULTRAFLEX non potrà garantire la compatibilità degli oli citati con OL150 in caso di variazione alle formulazioni da parte dei produttori degli oli stessi, in particolare non potrà garantirne la rispondenza alla ISO 10592 relativa ai sistemi di guida idraulici. Eventuali cali prestazionali e/o di durata non saranno in nessun caso imputabili ad **ULTRAFLEX**.

Nei giorni immediatamente successivi al riempimento, è necessario tenere sotto controllo il livello dell'olio; se necessario, rabboccare il sistema. Inizialmente il livello dell'olio può calare, in quanto possono liberarsi piccole quantità di aria omogeneamente distribuite. In funzione dei diversi tipi di installazione, occorre eseguire le diverse procedure di spurgo, come illustrato nella pagina seguente.

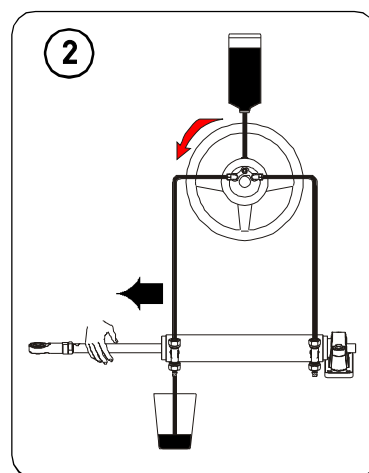


3.5.1 Stazione di guida singola/ cilindro singolo

- Svitare le due valvole di spurgo e portare manualmente lo stelo in fine corsa da un lato come indicato in figura 1.
- Posizionare la bottiglia dell'olio come indicato in figura.



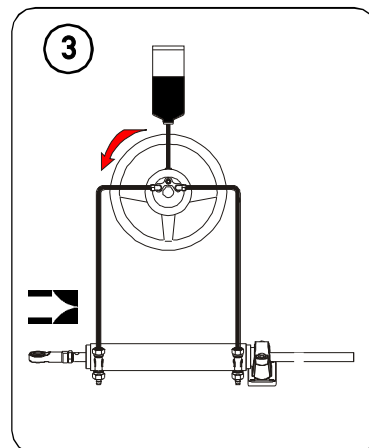
- Chiudere la valvola di spurgo dal lato opposto al fine corsa dello stelo e posizionare una bacinella di recupero olio in prossimità dell'altra valvola di spurgo (come indicato in figura 2).
- Ruotare il volante lentamente (come indicato in figura 2) in modo tale da far defluire l'olio attraverso la tubazione.



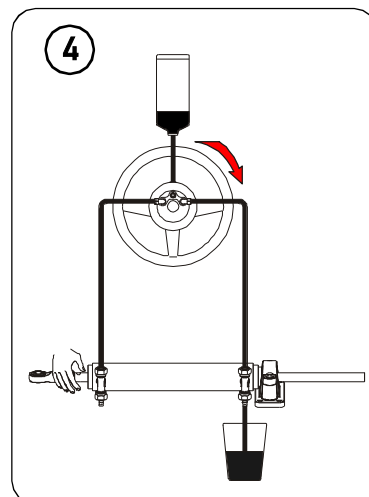
NOTA

Trattenere lo stelo del cilindro con la mano in modo tale da evitare spostamenti causati dall'aria presente all'interno della camera (figura 2).

- Quando dalla valvola di spurgo comincia a defluire olio (completamente privo di bolle d'aria), chiudere la valvola di spurgo e continuare quindi a ruotare il volante nella stessa direzione al fine di riempire la camera del cilindro (figura 3).
Durante questa fase lo stelo si sposterà verso la direzione opposta fino a fine corsa.



- Aprire l'altra valvola di spurgo e posizionare il contenitore di recupero dell'olio dall'altra parte. Trattenendo lo stelo del cilindro in questa posizione, ruotare lentamente il volante come indicato in figura 4, fino a che dalla valvola di spurgo non defluirà olio completamente privo di bolle d'aria. Infine chiudere la valvola di spurgo.
- Ripetere nuovamente l'intera procedura al fine di garantire la completa assenza di aria all'interno del circuito.



3.5.2 Stazione di guida doppia/ cilindro singolo

- Svitare manualmente le due valvole di spurgo sui raccordi a T del cilindro e portare il cilindro in fine corsa.
- Posizionare la bottiglia dell'olio in prossimità della stazione di guida primaria (superiore) secondo quanto indicato in precedenza.

⚠ AVVERTENZA

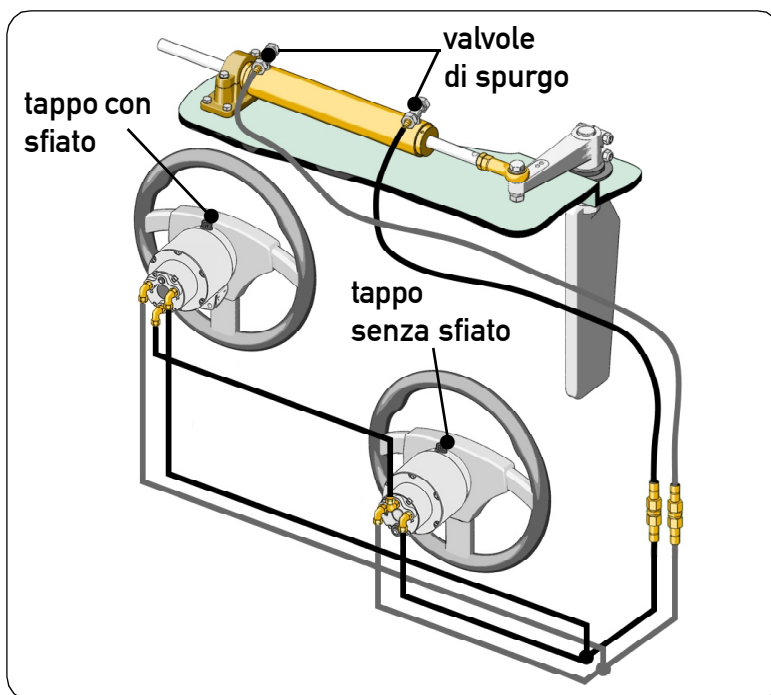
Attendere che l'olio sia arrivato al serbatoio inferiore e che entrambi i serbatoi siano riempiti.

- Seguire la procedura di spurgo indicata al paragrafo 3.5 partendo dalla stazione di guida inferiore e ripeterla agendo sulla stazione di guida superiore.

⚠ AVVERTENZA

Per il serbatoio della stazione di guida supplementare (inferiore) utilizzare esclusivamente il tappo senza foro di sfiato (fornito con il "kit 120U-2S"). Per il serbatoio della stazione di guida primaria (superiore) utilizzare esclusivamente il tappo con il foro di sfiato.

- Ripetere almeno 3 volte l'intera procedura al fine di garantire la completa assenza di aria all'interno del circuito.



3.6 Raccomandazione generale

⚠ AVVERTENZA

E' molto importante verificare che l'aria sia stata completamente spurgata dall'impianto prima di utilizzare la barca! Si consiglia di tentare di spostare manualmente il/i motore/i verso babordo e tribordo, prestando attenzione a qualsiasi movimento dello stelo del cilindro.

Se lo stelo del cilindro si muove per oltre 1/6 di pollice (15mm), nell'impianto sarà ancora presente aria da spurgare. La presenza di aria nell'impianto può dar luogo a risposte non corrette ai comandi, con conseguente rischio di danni, lesione o morte.



4 AVVERTENZE DI SICUREZZA

Questa sezione ha lo scopo di illustrare le norme di sicurezza da seguire per un uso corretto dell'apparecchiatura. Si raccomanda di leggere con molta attenzione questa sezione. Si raccomanda di leggere i manuali forniti con gli altri componenti del sistema di guida.

4.1 Norme di sicurezza durante l'installazione e l'uso

RISPETTATE TASSATIVAMENTE le precauzioni ed i criteri di sicurezza indicati qui di seguito.

ULTRAFLEX declina ogni responsabilità nel caso in cui l'utilizzatore non li osservi, così come non è responsabile per qualsiasi tipo di negligenza che venga commessa durante l'utilizzo del sistema.

PERICOLO

- **NON INSERIRE LE MANI TRA ORGANI IN MOVIMENTO.**
- Non disattivare o rendere in qualsiasi modo non operativi i dispositivi di sicurezza.
- Non modificare o aggiungere dispositivi all'impianto, senza autorizzazione scritta o previo intervento tecnico **ULTRAFLEX** che comprovi nella descrizione dell'intervento la modifica apportata.
- Non utilizzare l'apparecchiatura per uno scopo diverso da quello per cui è stata destinata, specificato nel manuale di installazione e manutenzione.
- Non far eseguire l'installazione a personale non specializzato.
- Non smontare le connessioni idrauliche senza prima aver effettuato lo scarico completo dell'olio nel sistema. Le tubazioni possono contenere olio ad alta pressione.

AVVERTENZA

- Non salire con i piedi sul cilindro.
- Dopo l'installazione e lo spurgo del sistema, procedere ad un controllo prima di iniziare la navigazione. Ruotare il volante fino a portare il cilindro o i cilindri installati a fondo corsa. Ripetere la manovra ruotando il volante nella direzione opposta. Ripetere l'operazione con tutte le timonerie presenti fino ad essere certi della corretta installazione e dell'ottimo funzionamento del sistema.
- Porre particolare cura nell'applicazione di materiale di tenuta liquido (tipo Loctite). In caso d'immissione nel sistema idraulico, questo causerebbe danni e rotture.
- Per sigillare i raccordi, non utilizzare in nessun caso nastro al teflon o qualunque tipo di nastro adesivo, che potrebbe essere aspirato dal sistema e danneggiare irreparabilmente lo stesso.
- In fase d'installazione del sistema, avere particolare cura nel mantenere la massima pulizia, per evitare che qualunque corpo estraneo possa penetrare nel sistema stesso. Anche il più piccolo oggetto potrebbe arrecare danni permanenti non immediatamente rilevabili.
- Evitare raggi di curvatura dei tubi troppo stretti.
- Evitare il contatto delle tubazioni con bordi o spigoli taglienti.
- Evitare il contatto dei tubi con fonti di calore.

4.2 Abbigliamento

AVVERTENZA

Durante le fasi di installazione, ispezione o manutenzione.

E' **SEVERAMENTE PROIBITO** indossare collane, braccialetti o indumenti che potrebbero impigliarsi in parti in movimento.



5 MANUTENZIONE

5.1 Manutenzione ordinaria

⚠️ AVVERTENZA

La mancata osservanza dei controlli di manutenzione può causare la perdita di guida con possibili danni materiali e/o lesioni personali.

I requisiti per la manutenzione variano secondo il clima, la frequenza ed il modo d'impiego. Sono necessarie ispezioni almeno annuali effettuate da un esperto meccanico nautico. Controllare i raccordi e lo stato delle guarnizioni del cilindro e della timoneria, per prevenire eventuali perdite; sostituirle se necessario.

Per mantenere un idoneo livello dell'olio nel serbatoio procedere al riempimento ed allo spurgo del sistema come indicato nel manuale al paragrafo 3.5.

Controllare l'usura dei tubi e dell'intero sistema, il fissaggio dei dadi e dei bulloni ogni sei mesi ed assicurarsi della loro perfetta integrità.

Detergere il sistema utilizzando acqua e sapone non aggressivo e non abrasivo.

⚠️ AVVERTENZA

Utilizzare esclusivamente olii idraulici compatibili, indicati nel paragrafo "caratteristiche tecniche" e "riempimento e spurgo". Non utilizzare in nessun caso olii per freni o fluido per trasmissioni automatiche (ATF).

5.2 Ricerca guasti

⚠️ AVVERTENZA

Ogni qualvolta i seguenti controlli richiedano la rimozione e/o smontaggio dei componenti del sistema di guida, richiedere l'intervento di personale qualificato. **ULTRAFLEX** offre le indicazioni generali e non può essere ritenuta responsabile per eventuali informazioni e conseguenze derivanti da un errato smontaggio.

PROBLEMA	POSSIBILE CAUSA	INTERVENTO
Nella fase di riempimento, la timoneria risulta bloccata.	<ul style="list-style-type: none"> Bloccaggio nelle tubazioni tra la timoneria e il cilindro. 	<ul style="list-style-type: none"> Sostituire le tubazioni. <p>⚠️ AVVERTENZA Il tubo danneggiato deve essere sostituito. La mancata sostituzione può causare la perdita di guida provocando lesioni personali gravi o danni patrimoniali.</p>
Il sistema è difficile da riempire. L'aria gorgoglia nella parte alta del serbatoio della timoneria anche dopo aver riempito totalmente il sistema.	<ul style="list-style-type: none"> Aria nel sistema. 	<ul style="list-style-type: none"> Ripetere la procedura di riempimento e spurgo del sistema. Installare i tubi in orizzontale e in ogni caso con inclinazione massima di circa 3cm per metro.
	<ul style="list-style-type: none"> Trafilamento del raccordo di spurgo del cilindro. 	<ul style="list-style-type: none"> Chiudere bene il raccordo di spurgo sul cilindro.
	<ul style="list-style-type: none"> Tubo attorcigliato. 	<ul style="list-style-type: none"> Svolgere e raddrizzare il tubo.
La timoneria è rigida e difficilmente manovrabile, anche quando l'imbarcazione è ferma.	<ul style="list-style-type: none"> Timoneria montata col foro di riempimento in posizione bassa. 	<ul style="list-style-type: none"> Montare la timoneria col foro di riempimento in posizione alta.
	<ul style="list-style-type: none"> Restringimento nelle tubazioni o nei raccordi. Aria nell'olio. 	<ul style="list-style-type: none"> Cercare il restringimento e rimuoverlo. Ripetere la procedura di riempimento e spurgo del sistema.



<p>La timoneria è rigida e difficilmente manovrabile, anche quando l'imbarcazione è ferma.</p>	<ul style="list-style-type: none"> Utilizzo olio errato. 	<ul style="list-style-type: none"> Scaricare subito il sistema di riempimento e spurgo del sistema. <p>⚠ AVVERTENZA Eventuali danni causati dall'uso di fluidi diversi da quelli raccomandati in questo manuale, non sono in alcun modo imputabili ULTRAFLEX e annullano automaticamente la garanzia.</p>
<p>La timoneria è rigida e difficilmente manovrabile, anche quando l'imbarcazione è ferma, se si utilizzano cilindri sbilanciati.</p>	<ul style="list-style-type: none"> Introduzione nella valvola, di sporcizia o trucioli. 	<p>⚠ AVVERTENZA Non utilizzare l'imbarcazione e richiedere l'intervento di un tecnico specializzato per la pulizia della valvola.</p>
<p>La timoneria si manovra agevolmente in banchina, ma diventa rigida quando l'imbarcazione è in movimento.</p>	<ul style="list-style-type: none"> Il volante di guida è troppo piccolo. 	<ul style="list-style-type: none"> Sostituire il volante di guida con uno più grande. <p>⚠ AVVERTENZA Solo entro le dimensioni massime consentite dalla timoneria.</p>
	<ul style="list-style-type: none"> La regolazione del correttore di assetto è sbagliata. 	<ul style="list-style-type: none"> Regolare il correttore di assetto.
	<ul style="list-style-type: none"> Aria nell'olio. 	<ul style="list-style-type: none"> Controllare il livello dell'olio e ripetere la procedura di spurgo come indicato nel manuale.
<p>Ruotando il volante, lo stelo (cilindri a stelo mobile) o il corpo (cilindri a stelo fisso) del cilindro non si muovono.</p>	<ul style="list-style-type: none"> Aria nel sistema. 	<ul style="list-style-type: none"> Ripetere la procedura di riempimento e spurgo del sistema.
	<ul style="list-style-type: none"> Perdita d'olio. 	<ul style="list-style-type: none"> Cercare la perdita e rivolgersi a personale qualificato.
	<ul style="list-style-type: none"> Timoneria montata col foro di riempimento in posizione bassa. 	<ul style="list-style-type: none"> Montare la timoneria col foro di riempimento in posizione alta.
<p>Perdite d'olio dai raccordi della timoneria.</p>	<ul style="list-style-type: none"> Raccordi avvitati male o con coppia di serraggio insufficiente. 	<ul style="list-style-type: none"> Serrare i raccordi. Applicare una coppia massima di 20Nm (15 in.lbs).
	<ul style="list-style-type: none"> Mancanza di fluido sigilla raccordi. <p>⚠ AVVERTENZA Per sigillare i raccordi non utilizzare in nessun caso nastro teflon o nastro adesivo.</p>	<ul style="list-style-type: none"> Svuotare la timoneria e smontarla. Togliere i raccordi e pulire le filettature dall'olio. Posizionare il fluido sigilla raccordi, avvitare i raccordi, installare la timoneria. <p>⚠ AVVERTENZA Dopo questa operazione, è necessario procedere ad una nuova operazione di spurgo completa.</p>
<p>Perdite d'olio dal tappo del serbatoio.</p>	<ul style="list-style-type: none"> Tappo avvitato male. 	<ul style="list-style-type: none"> Avvitare il tappo.
	<ul style="list-style-type: none"> Tappo con sfiato (nero) posto sulla timoniera supplementare posizionata più in basso. 	<ul style="list-style-type: none"> Sostituire il tappo sfiato (nero) col tappo per kit timoneria supplementare (argento).
	<ul style="list-style-type: none"> Guarnizione di tenuta usurata o danneggiata. 	<ul style="list-style-type: none"> Sostituire il tappo.
	<ul style="list-style-type: none"> Livello dell'olio troppo abbondante. 	<ul style="list-style-type: none"> Applicare la procedura di mantenimento livello olio descritta nel manuale della pompa



6 SMANTELLAMENTO

6.1 Smantellamento

Qualora si intenda, per qualsiasi motivo, mettere fuori servizio il sistema di guida, è necessario osservare alcune regole fondamentali atte a salvaguardare l'ambiente.

Guaine, condotti flessibili, componenti di materiale plastico o comunque non metallico, dovranno essere smontati e smaltiti separatamente.

*Il sistema di guida **CONTIENE OLII INQUINANTI**
che devono essere smaltiti secondo le normative
in vigore.*



Manuel d'installation et d'entretien

VERIN HYDRAULIQUE POUR MOTEURS IN-BORD UC 378



CE

FRANÇAIS



ULTRAFLEX





Cher Client,

Nous vous remercions pour avoir choisi un produit **ULTRAFLEX**.

La Société **ULTRAFLEX** est depuis plusieurs années un point de repère dans les systèmes de gouvernement dans le domaine de la navigation de plaisance et professionnelle.
La production **ULTRAFLEX** est depuis toujours une garantie de grande fiabilité et sécurité.

Tous les produits **ULTRAFLEX** sont conçus et fabriqués pour assurer toujours les performances les meilleures.

Pour assurer votre sécurité et pour maintenir toujours un niveau de qualité élevé **ULTRAFLEX** ne garantit ses produits que si les pièces de rechange originales sont utilisées (voir annexe "Application Spare Parts").

Les Systèmes de Gestion de la Qualité **ULTRAFLEX** et **UFLEX** sont certifiés CISQ-IQNet par le Registre Italien des Navires (RINA), en conformité avec la Norme UNI EN ISO 9001:2008. Certificat **ULTRAFLEX** n° 6669/02/S (ancien 420/96). Certificat **UFLEX** n°8875/03/S.

Le système Qualité implique toutes les ressources et les processus d'entreprise à partir de la conception du projet au but de:

- assurer au client la qualité du produit;
- maintenir et améliorer continuellement les standard de qualité;
- poursuivre une amélioration continue de l'efficacité des processus afin de répondre toujours aux exigences du marché et d'augmenter la satisfaction des Clients;

Le système de Gestion Environnementale de la Qualité **ULTRAFLEX** est certifié CISQ-IQNet par le Registre Italien des Navires (RINA), en conformité avec la Norme UNI EN ISO 14001. Certificat **ULTRAFLEX** n° EMS-1282/S.

Vérifier la conformité des produits aux prescriptions de la directive 2013/53/EU.



"**ULTRAFLEX**, avec plus de 80 années d'expérience dans le domaine nautique, est aujourd'hui une industrie de pointe sur échelle mondiale dans la production de systèmes de gouvernement mécaniques, hydrauliques, électroniques, boîtes de commande et volants pour bateaux moteur de toutes dimensions pour la plaisance, la pêche ou le travail.

La fiabilité de nos produits et le service pré-vente et après-vente, la qualité de l'organisation de l'entreprise et des ressources humaines aussi bien que les investissements continus dans la recherche et le développement sont des facteurs fondamentaux pour expliquer le succès croissant de nos produits dans le monde entier".

INDEX GENERAL



EMPLOI DU MANUEL ET SYMBOLES UTILISES.....	44
LETRE D'INFORMATION.....	45
GARANTIE.....	45

SECTION 1- DESCRIPTION DU PRODUIT



1.1 FONCTIONNEMENT D'UN SYSTEME DE GOUVERNEMENT HYDRAULIQUE.....	46
1.2 AVERTISSEMENTS POUR L'EMPLOI CORRECT DU PRODUIT.....	46
1.3 CONFIGURATIONS DU SYSTEME.....	47
1.4 DESCRIPTION DU VERIN.....	48
1.5 CARACTERISTIQUES TECHNIQUES DU VERIN.....	48

SECTION 2- TRANSPORT



2.1 AVERTISSEMENTS GENERAUX.....	49
2.2 CONTENU EMBALLAGE.....	49

SECTION 3- INSTALLATION



3.1 OUTILS NECESSAIRES.....	50
3.2 INSTALLATION DU VERIN.....	50
3.3 INSTALLATION TUYAUX.....	52
3.4 TYPES D'INSTALLATION.....	53
3.5 REMPLISSAGE ET PURGE.....	54
3.5.1 POSTE DE GOUVERNEMENT UNIQUE/VERIN UNIQUE.....	55
3.5.2 POSTE DE GOUVERNEMENT DOUBLE/VERIN UNIQUE.....	56
3.6 RECOMMANDATION GENERALE.....	56

SECTION 4- AVERTISSEMENTS DE SECURITE



4.1 NORMES DE SECURITE PENDANT L'INSTALLATION ET L'EMPLOI.....	57
4.2 HABILLEMENT.....	57

SECTION 5- ENTRETIEN



5.1 ENTRETIEN ORDINAIRE.....	58
5.2 RECHERCHE DES PANNES.....	58

SECTION 6- DEMOLITION



6.1 DEMOLITION.....	60
---------------------	----

EMPLOI DU MANUEL ET SYMBOLES UTILISES

Le MANUEL D'INSTALLATION ET D'ENTRETIEN est le document qui accompagne le produit de sa vente jusqu'à son remplacement et sa démolition. C'est donc une partie fondamentale du manuel lui-même. Il faut lire le manuel avant TOUTE ACTIVITE concernant le produit y compris sa manutention et son déchargement du moyen de transport.


Les symboles ci-dessous ont été adoptés dans le manuel afin d'assurer la sécurité de l'usager et le fonctionnement correct du produit.

⚠ DANGER → Dommages immédiats qui CAUSENT des blessures graves à la personne ou qui en provoquent la mort.

⚠ AVERTISSEMENT → Il indique qu'il y a un danger qui peut provoquer des lésions ou la mort si on n'adoptent pas les précautions appropriées.

⚠ ATTENTION → Il indique un appel à l'application de pratiques de sécurité ou il appelle l'attention sur des pratiques non sûres qui pourraient causer des lésions personnelles ou des dommages au bateau ou aux composants ou à l'environnement.

NOTE → Information importante pour une installation adéquate et pour l'entretien, qui ne cause pas de dommages.

 → Les opérations pour l'exécution desquelles on demande du personnel qualifié ou spécialisé, afin d'éviter toute sorte de risques, sont indiquées avec le symbole à côté. On recommande de former le personnel préposé à l'installation du produit et de vérifier si ce qui est prévu a été compris et mis en œuvre.

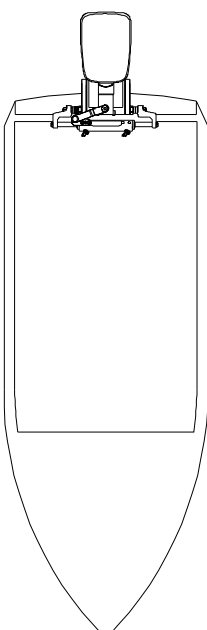
POUPE (STERN)

TRIBORD (STARBOARD)

BABORD (PORT)

PROUE (BOW)

→ La figure à côté peut guider l'interprétation de certains termes nautiques contenus dans ce manuel.




LETTRÉ D'INFORMATION

Ce manuel d'installation et d'entretien est une partie intégrante du produit et il doit être facilement repérable par le personnel préposé à son emploi et à son entretien.

L'utilisateur doit connaître le contenu de ce manuel.

La Société **ULTRAFLEX** décline toute responsabilité en cas d'inexactitudes dues à des fautes d'impression, contenues dans le manuel.

Bien que les caractéristiques principales du type de produit décrit ne changent pas, la Société **ULTRAFLEX** se réserve le droit de modifier les descriptions, les détails et les illustrations qu'elle jugera nécessaires afin de l'améliorer, soit pour des exigences de caractère constructif ou commercial, dans n'importe quel moment et sans être obligé de mettre à jour le manuel tout de suite.

TOUS LES DROITS SONT RESERVES. Les droits de publication, les marques, les sigles et les photos des produits **ULTRAFLEX** contenus dans ce manuel appartiennent à la Société **ULTRAFLEX** qui en interdit toute sorte de reproduction même partielle. Tous les soins ont été pris pour rassembler et contrôler la documentation contenue dans ce manuel afin de le rendre le plus complet et le plus compréhensible possible. Rien de ce qui est contenu dans cette publication ne peut être interprété comme garantie ou condition explicite ou implicite - y compris, pas en voie limitative, la garantie d'aptitude pour un but particulier. Rien de ce qui est contenu dans cette publication ne peut être interprété comme modification ou assertion des termes de n'importe quel contrat d'achat.

⚠ AVERTISSEMENT

Le produit doit être installé par du personnel formé afin d'assurer son fonctionnement correct et celui de ses composants. En cas de rupture de parties ou de mauvais fonctionnement, s'adresser au personnel spécialisé ou contacter notre Service d'Assistance Technique.

SERVICE D'ASSISTANCE TECHNIQUE

UFLEX S.r.l.

Via Milite Ignoto.8A
16012 Busalla (GE)-Italie
Tél: +39.010.962.0239 (Italie)
Tél: +39.010.962.0244 (Etranger)
Fax: +39.010.962.0333
Email: ut@ultraflexgroup.it
www.ultraflexgroup.it

Amérique du nord - du sud - centrale:

UFLEX USA
6442 Parkland Drive
Sarasota, FL 34243
Tél: +1.941.351.2628
Fax: +1.941.360.9171
Email: uflex@uflexusa.com
www.uflexusa.com

GARANTIE

La Société **ULTRAFLEX** garantit que ses produits sont fabriqués à règles d'art et qu'ils n'ont aucun défaut de fabrication et de matériels.

Cette garantie a une validité de deux années à partir de la date de fabrication des produits à l'exception des cas où ils sont installés et utilisés sur des bateaux de travail ou de commerce, car alors la garantie est limitée à une année de la date de fabrication.

Dans le cas où, pendant cette période le produit s'avérerait défectueux à cause des matériaux utilisés ou/et présente des vices de fabrication, le fabricant le remplacera ou le réparera gratuitement.

Tout autre dommage direct ou indirect est exclu de la garantie. En particulier la Société constructrice n'est pas responsable et cette garantie ne couvre pas les dommages dérivant d'une installation incorrecte ou d'un emploi inadéquat ou abusif des produits (à l'exception du remplacement ou de la réparation des pièces défectueuses dans les termes et les délais susmentionnés).

Cette garantie ne couvre pas les produits installés sur des bateaux de course ou utilisés pour des compétitions. Les descriptions et les illustrations contenues dans ce manuel sont seulement à titre indicatif.

Pour toute information détaillée contacter notre Service d'Assistance.

Les composants des systèmes de conduite **ULTRAFLEX** sont pourvus de la marque **CE** en conformité avec la directive 2013/53/UE.

On rappelle que sur les bateaux pourvus de la marque CE il est obligatoire d'installer des systèmes de conduite dont les composants sont marqués CE. Nous vous informons que la garantie **ULTRAFLEX** échoit automatiquement au cas où certains composants **ULTRAFLEX** seraient installés dans un système de gouvernement avec des produits de marques différentes.



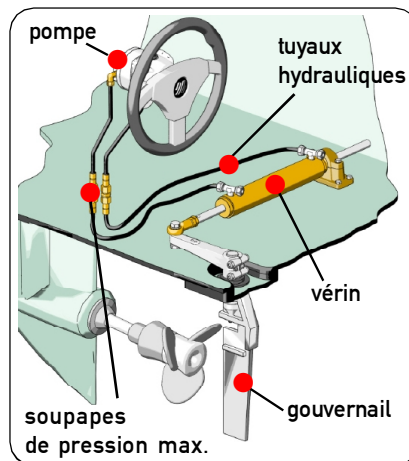
1 DESCRIPTION DU PRODUIT

1.1 Fonctionnement d'un système de gouvernement hydraulique

Les systèmes de gouvernement hydrauliques **ULTRAFLEX** sont conçus en conformité avec la norme UNI-EN-ISO 10592 et la norme A.B.Y.C. P21.

Les systèmes de gouvernement **ULTRAFLEX** sont à même de fonctionner avec des températures ambiantes entre -18°C (0°F) et $+77^{\circ}\text{C}$ ($+170^{\circ}\text{F}$). Tous leurs composants ont été réalisés spécifiquement pour le milieu marin, à l'aide de matériels et de procédés de fabrication offrant une longue durée et un haut degré de sécurité même dans des conditions extrêmes.

Le système de gouvernement hydraulique dans un bateau est formé d'une pompe placée sur le tableau de bord, d'un vérin à poupe connecté au moteur ou au gouvernail et des tuyaux hydrauliques de connexion (voir figure). La rotation du volant provoque le pompage de l'huile qui, selon le sens de rotation, coule à travers les tuyaux jusqu'à atteindre le vérin. Le mouvement du vérin fait refluer l'huile vers la pompe à travers les tuyaux et en même temps déplace le moteur ou le gouvernail du bateau connectés au vérin lui-même. Les pompes équipées d'une soupape de non-retour empêchant l'écoulement de l'huile à la pompe si elle n'est pas activée, permettent le fonctionnement des systèmes avec deux ou plusieurs postes de gouvernement. Les vérins sont à double effet et ils peuvent être équilibrés ou pas équilibrés. Dans les vérins pas équilibrés les deux chambres ont des volumes différents et donc elles demandent



un nombre différent de tours du volant et un effort de rotation différent sur le volant pour le déplacement égal du vérin dans les deux sens. Les vérins équilibrés demandent le même nombre de tours du volant pour déplacer le gouvernail du centre au fin de course dans les deux sens opposés. Un système de gouvernement équilibré et facile à manoeuvrer demande un choix correct du type de pompe à accoupler au vérin. **ULTRAFLEX** produit plusieurs modèles de pompes, dont les différences sont le débit (cm^3 d'huile déplacés à chaque tour du volant) et le type d'installation. Quand on choisit la pompe il faut considérer le volume du vérin. En effet le nombre de tours du volant de gauche à droite est déterminé par le rapport entre le volume du vérin et le débit de la pompe.

Exemple: si la pompe a un débit de 28 cm^3 [$1,7 \text{ cu.in.}$] et le vérin a un volume de 120 cm^3 [$7,3 \text{ cu.in.}$], la formule suivante est appliquée: $120/28=4,2$. Le volant tournera donc environ 4 fois avant que le vérin ne soit complètement déplacé d'un côté à l'autre. En cas d'installations avec deux vérins connectés en parallèle il faut additionner le volume des vérins. Tout accouplement avec moins de 4 tours demandent un effort de conduite excessif; avec plus de 8 tours ils retardent la réponse du bateau à la pompe.

1.2 Avertissements pour l'emploi correct du produit

⚠ DANGER

En tout cas ne pas modifier le vérin de direction pour l'adapter à votre application sinon le vérin ne fonctionnera pas en sécurité et il sera dangereux pour le bateau et pour ses occupants.

⚠ AVERTISSEMENT

Les systèmes de conduite **ULTRAFLEX** ne doivent pas être appliqués sur des bateaux équipés avec motorisations dépassant les puissances maximales installables établies par le chantier.

⚠ AVERTISSEMENT

On ne conseille pas d'installer le vérin UC 378 sur les bateaux de course.

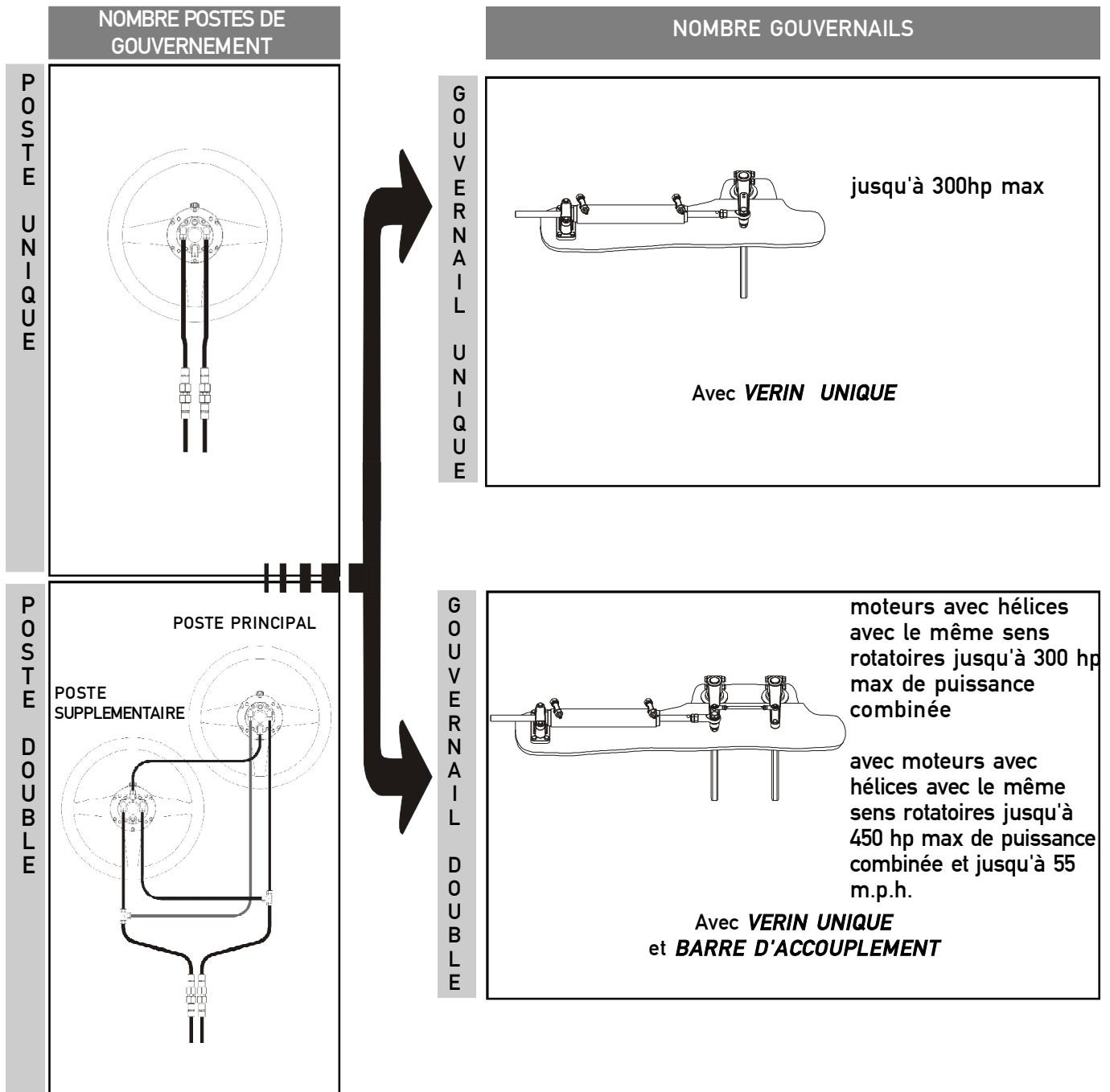
⚠ AVERTISSEMENT

Pour les installations avec gouvernail double, la puissance combinée des moteurs ne doit pas dépasser 450hp et la vitesse du bateau ne doit pas dépasser 55 m.p.h.



1.3 Configurations du système

Le vérin hydraulique pour moteurs in-bord modèle UC 378 peut être installé dans des configurations différentes selon le nombre et le type de moteurs utilisés en accouplement avec un système de gouvernement unique ou double. Les configurations possibles sont:



FRANÇAIS

NOTE

En cas d'installations avec gouvernail double, l'emploi d'une barre d'accouplement est obligatoire.
En cas d'installations avec poste double, l'emploi de deux gouvernails pourvus de soupape de non-retour est obligatoire.

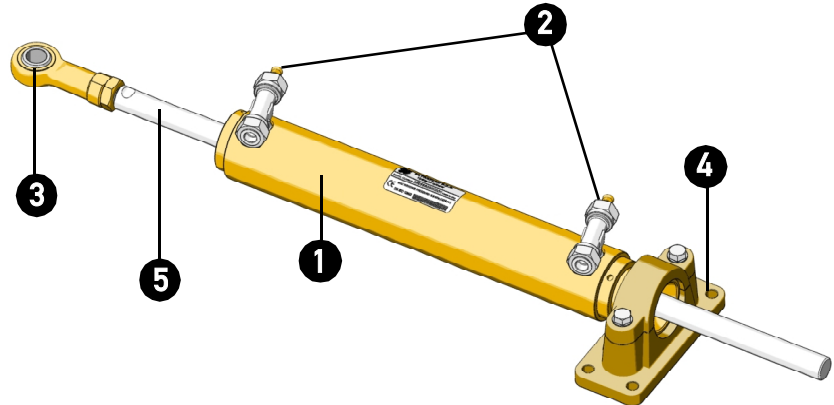


1.4 Description du vérin

Le vérin hydraulique in-bord UC 378 a été conçu et fabriqué pour être utilisé comme composant d'un système de gouvernement hydraulique comme décrit au paragraphe précédent.

Le vérin à tige mobile est appliqué directement au bras du gouvernail à travers l'articulation à rotule spéciale qui se trouve dans sa partie terminale. De l'autre côté il est fixé directement au bateau, à travers un support pourvu de plaque (voir par. 3.2). Pour les applications avec gouvernail double, le vérin unique doit être monté avec une barre d'accouplement (voir par. 1.3). La figure ci-dessous montre les composants principaux du vérin:

- ❶ Corps du vérin
- ❷ Raccords de connexion et purge
- ❸ Articulation à rotule
- ❹ Support avec étrier de fixation
- ❺ Tige

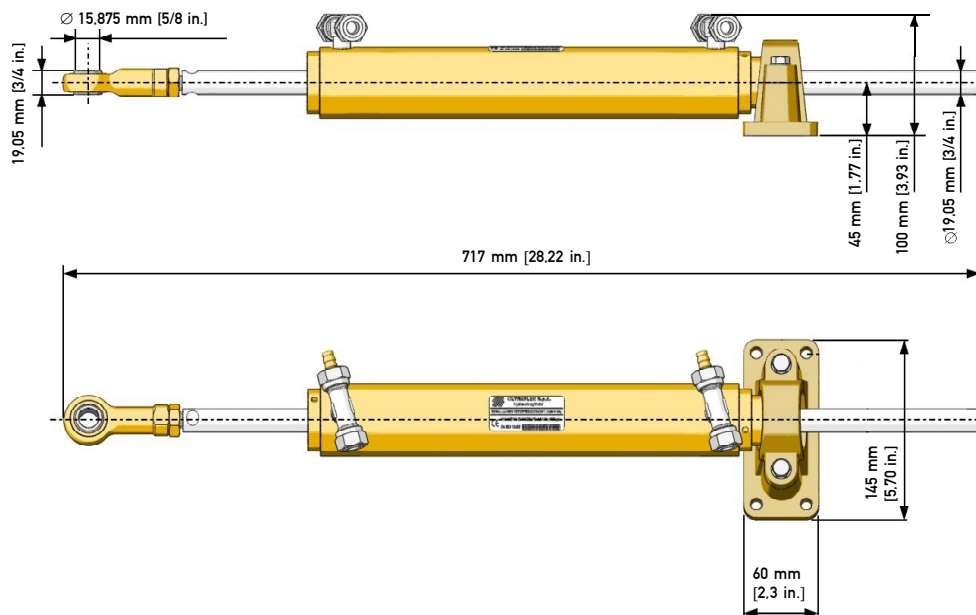


1.5 Caractéristiques techniques

SPECIFICATIONS	UC 378
Volume	376 cc - 23 cu. in
Poussée	1177 kg - 2595 lbs (@70 bar)
Couple	187,6 Kg/m - 16347 lbs/in. (@70 bar)
Diamètre intérieur	50 mm - 1.96"
Course	228 mm - 8.97"
Huile	OL150 Ultraflex

FRANÇAIS

Dimensions d'encombrement:



2 TRANSPORT

2.1 Avertissements généraux

Le poids du produit avec son emballage est 9Kg (19 livres), il peut donc être manutentionné manuellement.

⚠ AVERTISSEMENT

Le personnel chargé de la manipulation du chargement doit porter des gants de protection et des chaussures de sécurité.

2.2 Contenu emballage

Avant d'utiliser le vérin s'assurer qu'il ne soit pas endommagé à cause du transport ou des conditions de conservation. Vérifier aussi que tous les composants pourvus de série soient dans l'emballage (voir liste). En cas d'endommagement, notifier la réclamation au transporteur et informer votre fournisseur.



- A) Vérin
- B) 2 tuyaux flexibles de connexion vérin-installation
- C) 2 raccords de connexion tuyaux flexibles-installation avec tuyau de 12mm (0,5")

⚠ ATTENTION

L'emballage doit être éliminé en conformité avec les directives en vigueur.



3 INSTALLATION

3.1 Outils nécessaires



Clé
hexagonale
22 mm (0.86")



Clé
hexagonale
24 mm (0.94")



Clé
dynamométrique

3.2 Installation du vérin



⚠ DANGER

Un bras (1) plus court que celui indiqué pourrait faire en sorte que le gouvernail plutôt que le vérin atteigne le fin de course en provoquant la rupture du système de gouvernement et la perte conséquente de contrôle du bateau.

⚠ AVERTISSEMENT

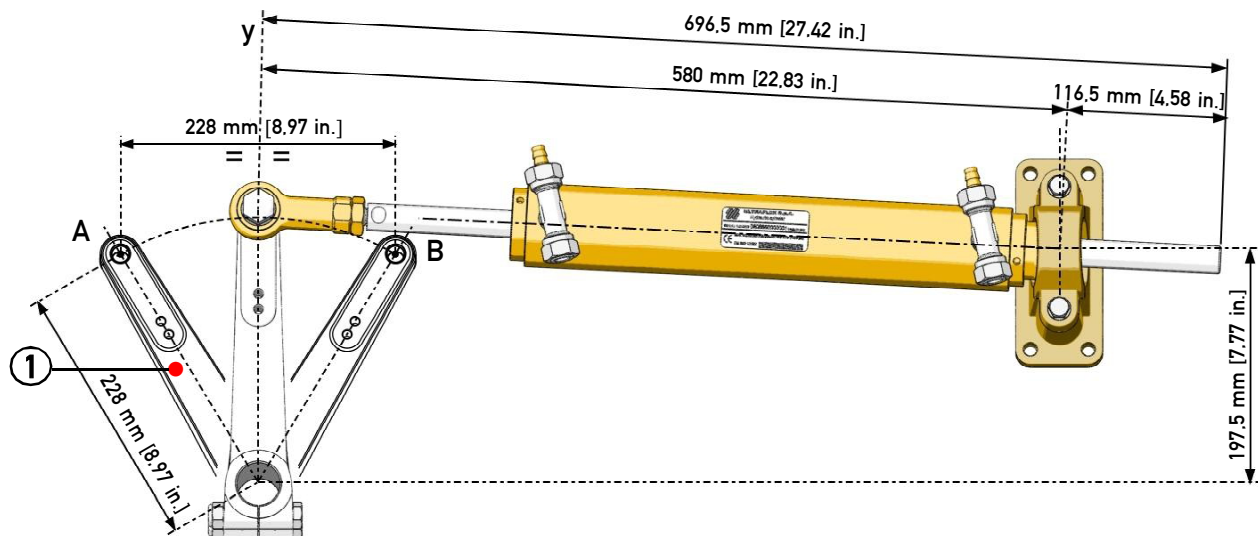
Un bras (1) plus long réduit l'angle de braquage.

NOTE

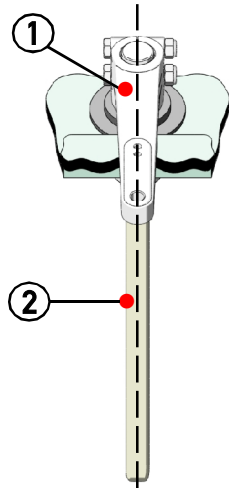
Si le bras n'est pas encore monté, consulter les instructions de montage du constructeur du bras.

NOTE

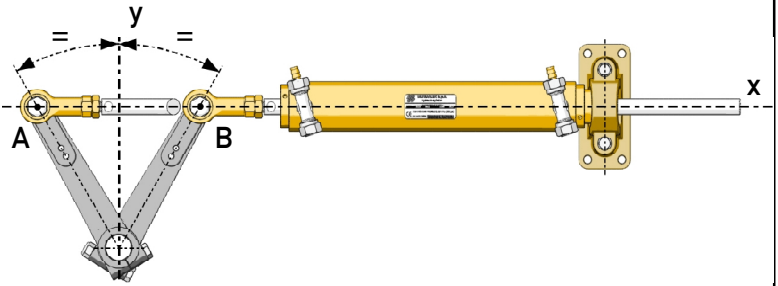
Si le bras correspond aux dimensions montrées en figure, suivre le schéma de montage représenté ci-dessous, autrement suivre les indications à la page suivante.



1 Vérifier que le bras (1) et la pelle du gouvernail (2) soient alignés, ensuite les centrer par rapport à l'axe longitudinal.



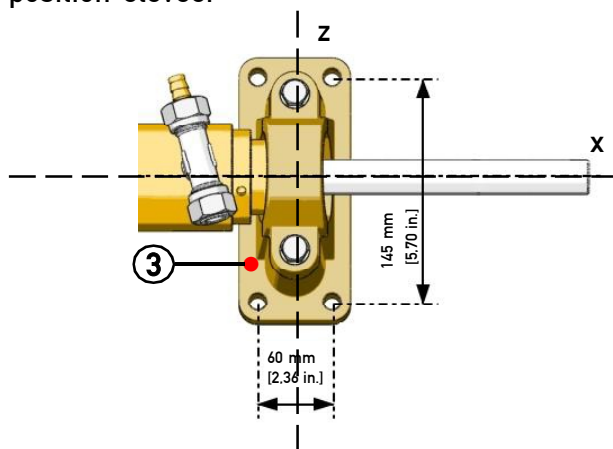
2 Procéder au montage cherchant la ligne imaginaire "x", parallèle au tableau arrière, qui unit le trou du bras dans les deux positions "A" et "B" de fin de course du vérin quand les angles entre les deux position "A" et "B" et l'axe longitudinal "y" sont égaux. Cette ligne sera l'axe de montage du vérin.



3 Vérifier que l'axe "z" de l'étrier (3) soit perpendiculaire à l'axe "x" du vérin. Fixer l'étrier (3) sur un support adéquat avec 4 vis de diamètre 8 mm (5/16") et 4 écrous autofreinés en acier inoxydable indiqués pour supporter les forces en jeu (vis et écrous non fournis).

NOTE

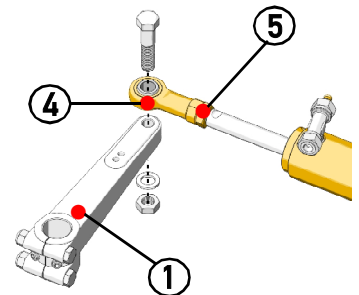
Les raccords pour l'huile doivent être toujours en position élevée.



4 Relier l'articulation (4) au bras (1); le bras doit être au-dessous de l'articulation (suivre les indications du constructeur du bras).

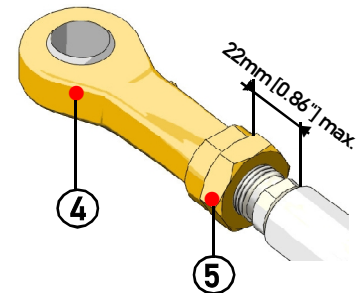
⚠ AVERTISSEMENT

L'articulation à rotule (4) doit être bloquée à l'aide du contre-écrou de sécurité (5) avec un couple de $100 \pm 10 \text{ Nm}$ ($73,8 \pm 7,38 \text{ lb-ft}$) (clés de 22 et 24mm - 0.86" et 0.94").



⚠ AVERTISSEMENT

Le réglage fin ne doit pas dépasser la mesure indiquée dans la figure.



⚠ ATTENTION

Vérifier que le vérin dans les deux positions de fin de course "A" et "B" soit aligné en position horizontale (parallèle au tableau arrière du bateau). Déplacer le gouvernail en avant et en arrière pour contrôler le mouvement libre du vérin et que ces positions soient spéculaires à l'axe "y" comme indiqué dans la figure 2.

S'assurer qu'il n'y ait pas d'obstacles dans le mouvement des articulations à rotule.

⚠ DANGER

Vérifier que ce soit le vérin qui est en fin de course et non pas le gouvernail.

Pour la liaison des deux gouvernails avec la barre d'accouplement, le vérin peut être connecté directement sur la barre d'accouplement ou sur un des deux bras du gouvernail; à ce propos suivre les instructions fournies avec les bras et/ou avec la barre d'accouplement.



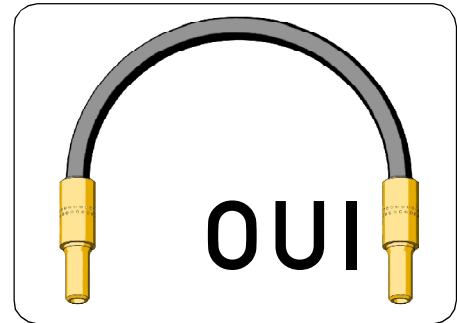
3.3 Installation tuyaux



Les deux raccords montés sur le corps du vérin sont déjà orientés et prêts pour être utilisés.

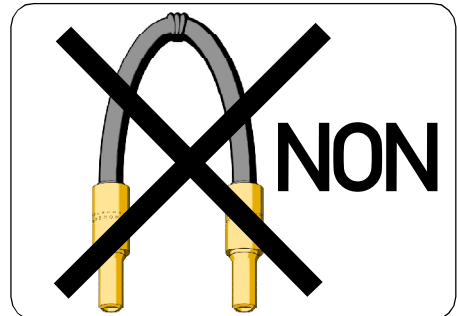
⚠ DANGER

Les raccords montés sur le vérin NE sont PAS orientables. Leur dévissage éventuel en comporte la rupture consécutive en rendant le vérin inutilisable.



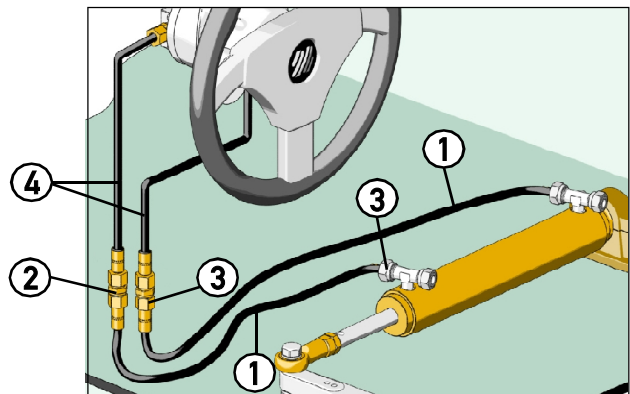
⚠ AVERTISSEMENT

Une courbure excessive du tuyau pourrait en causer la rupture intérieure et compromettre le bon fonctionnement du système. Dans ce cas il faut remplacer le tuyau endommagé.



Connecter les tuyaux flexibles fournis (1) au vérin et aux raccords fournis (2) en serrant avec une clé de 22 mm (0,86") les écrous (3) avec un couple de 45-50 Nm (33,2-36,9 lb-ft).

De même façon, connecter les tuyaux rigides (4) à la pompe et aux raccords (2).



NOTE

Le montage de la tuyauterie rigide (4) (coupe, courbure et passage de cloison) devra être effectué par le personnel spécialisé en se conformant aux indications du constructeur. En cas de tuyaux de cuivre ou d'acier le rinçage est obligatoire.



3.4 Types d'installation



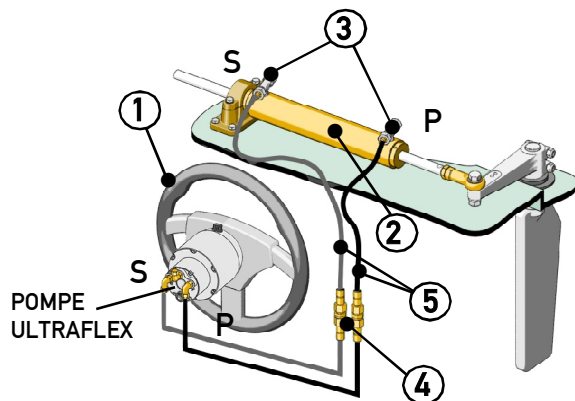
NOTE

En se référant au bateau la tuyauterie connectée au côté port (P) de la pompe doit être toujours connectée au raccord au côté port (P) tandis que la tuyauterie connectée au côté starboard (S) de la pompe doit être connectée au raccord au côté starboard (S).

ATTENTION

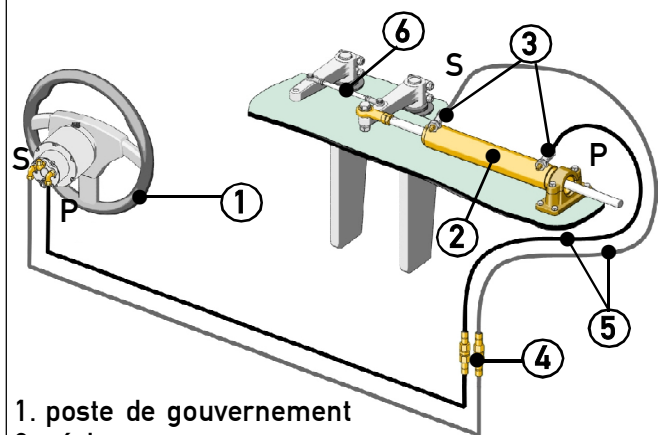
Toujours connecter les tuyaux avec attention comme montré dans les dessins ci-dessous. Le vérin hydraulique pour moteurs in-bord modèle UC 378 peut être installé dans plusieurs configurations en fonction du nombre et du type de moteurs utilisés avec un système de gouvernement unique ou double.

POSTE DE GOUVERNEMENT UNIQUE / VERIN UNIQUE:



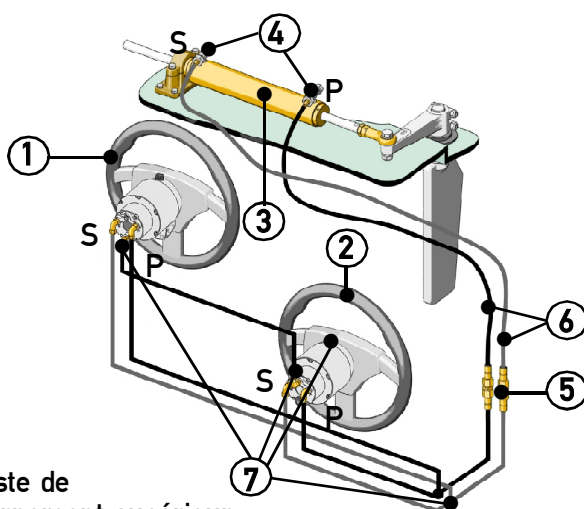
1. poste de gouvernement
2. vérin
3. raccords en T avec soupapes de purge
4. raccords de connexion fournis
5. tuyaux flexibles fournis

POSTE DE GOUVERNEMENT UNIQUE / VERIN UNIQUE AVEC GOUVERNAIL DOUBLE:



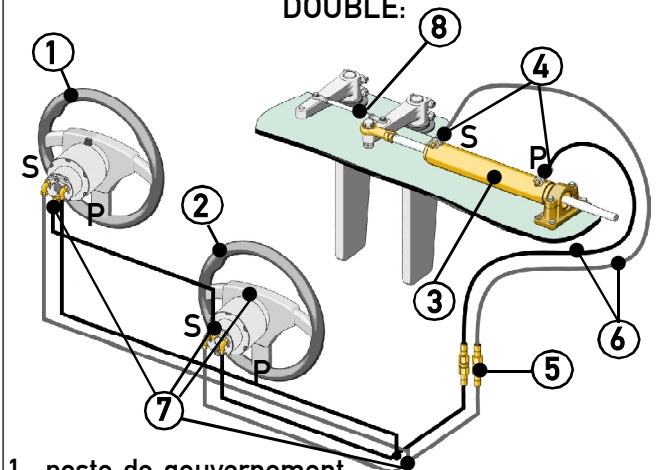
1. poste de gouvernement
2. vérin
3. raccords en T avec soupapes de purge
4. raccords de connexion fournis
5. tuyaux flexibles fournis
6. barre d'accouplement

POSTE DE GOUVERNEMENT DOUBLE / VERIN UNIQUE:



1. poste de gouvernement supérieur
2. poste de gouvernement inférieur
3. vérin
4. raccords en T avec soupapes de purge
5. raccords de connexion fournis
6. tuyaux flexibles fournis
7. kit 120U-2S

POSTE DE GOUVERNEMENT DOUBLE / VERIN UNIQUE AVEC GOUVERNAIL DOUBLE:



1. poste de gouvernement supérieur
2. poste de gouvernement inférieur
3. vérin
4. raccords en T avec soupapes de purge
5. raccords de connexion fournis
6. tuyaux flexibles fournis
7. kit 120U-2S
8. barre d'accouplement



3.5 Remplissage et purge



Après la première installation et après toute opération d'entretien il faut remplir le système avec de l'huile hydraulique. Cette opération permet d'éliminer complètement l'air du système et en assure le bon fonctionnement. Le système hydraulique doit être rempli depuis le point le plus haut du système lui-même, c'est-à-dire du poste de gouvernement supérieur.

ATTENTION

Pour éviter la formation de bulles d'air dans l'huile, il faut remplir lentement le réservoir.

AVERTISSEMENT

Les opérations de remplissage et de purge doivent être effectuées au moins par deux opérateurs.

DANGER

Utiliser de l'huile **ULTRAFLEX** ou des huiles compatibles.

DANGER

L'huile hydraulique OL150 est spécifiquement formulée pour **ULTRAFLEX** afin de maintenir le plus longtemps possible pendant le temps le haut niveau de qualité et de performance des produits **ULTRAFLEX**. Sa formule particulière "Sans Zinc" favorise la protection contre l'oxydation marine. Le mélange particulier des composants antiusures et stabilisants, dont OL150 est composé, permettent d'obtenir un résultat optimal en termes de durée du produit et de constance de performance dans les différentes conditions environnementales. L'huile hydraulique **ULTRAFLEX** est conforme à la norme ISO 10592 relative aux systèmes de gouvernement hydrauliques. **ULTRAFLEX** n'est pas responsable de tout dommage ou de toute diminution des performances à cause de l'emploi des huiles hydrauliques différentes de OL150.

DANGER

N'utiliser dans aucun cas d'huiles de transmission type ATF Dexron II ou d'huiles pour les freins qui peuvent provoquer le blocage du système de gouvernement.

Huiles compatibles avec OL150 **ULTRAFLEX** sont:

- Shell Tellus T15 et Shell Tellus T22
- Mobil DTE 11M

NOTE

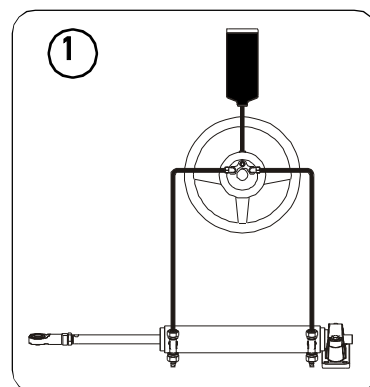
ULTRAFLEX ne peut pas assurer la compatibilité des huiles indiquées avec OL150 en cas de variation aux formulations par les producteurs des huiles, en particulier la société ne peut pas assurer la correspondance à la norme ISO 10592 relative aux systèmes de gouvernement hydrauliques. **ULTRAFLEX** n'est pas responsable de toute diminution des performances et/ou de la durée.

Les jours après le remplissage il faut contrôler le niveau de l'huile; si nécessaire, en ajouter. Au début le niveau de l'huile peut descendre, car des quantités petites d'air peuvent se libérer de façon homogène. Selon les différents types d'installation, il faut donc effectuer les différentes procédures de purge, comme indiqué à la page suivante.

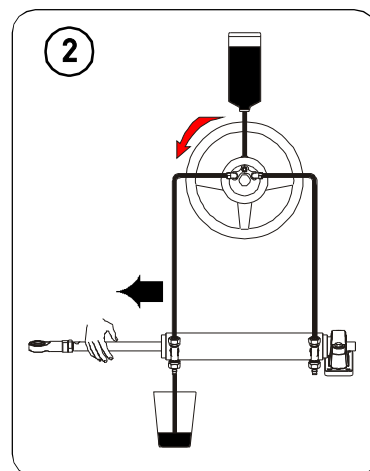


3.5.1 Poste de gouvernement unique/ vérin unique

- Dévisser les deux soupapes de purge et pousser manuellement la tige jusqu'à la fin de sa course d'un côté comme indiqué dans la figure 1.
- Positionner la bouteille de l'huile comme indiqué dans la figure.



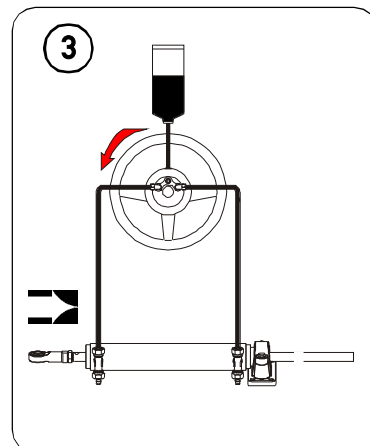
- Fermer la soupape de purge du côté opposé au fin de course de la tige et positionner un bac de récupération de l'huile près de l'autre soupape de purge (comme indiqué dans la figure 2).
- Tourner lentement le volant (comme indiqué dans la figure 2) de manière à faire sortir l'huile à travers le tuyau.



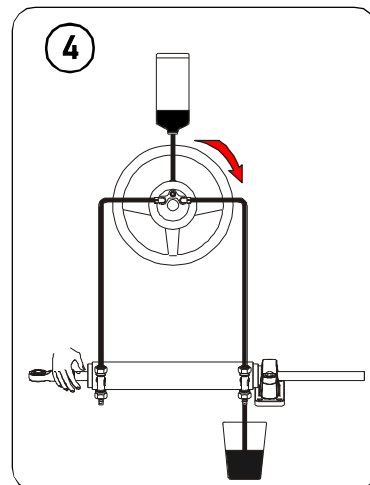
NOTE

Tenir d'une main le corps du vérin afin d'éviter tout déplacement causé par l'air qui se trouve dans la chambre (figure 2).

- Quand l'huile (sans bulles d'air) commence à sortir de la soupape de purge, fermer la soupape de purge et continuer à tourner le volant dans la même direction afin de remplir la chambre du vérin (figure 3). Pendant cette phase la tige se déplacera vers la direction opposée jusqu'à la fin de sa course.

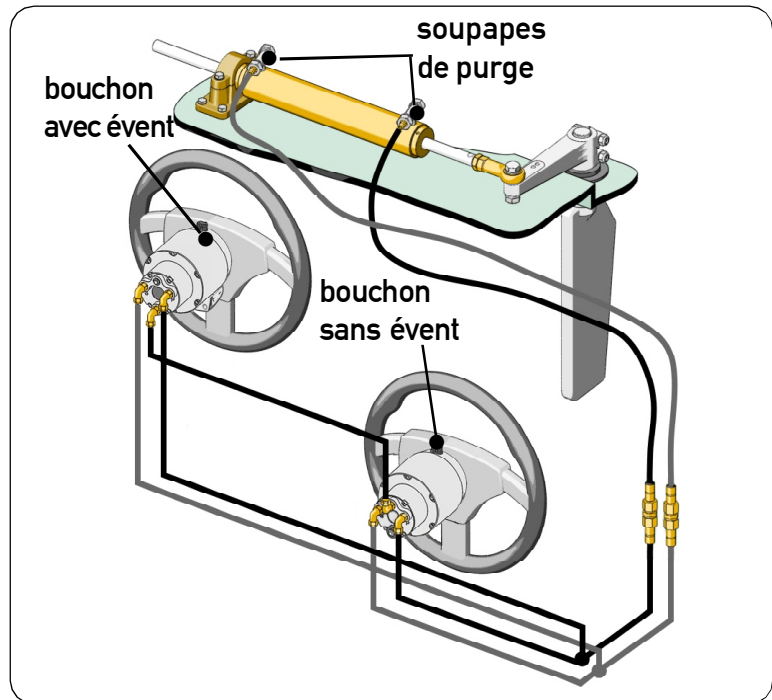


- Ouvrir l'autre soupape de purge et positionner le bac de récupération de l'huile de l'autre côté. Tenir la tige du vérin dans cette position et tourner lentement le volant comme indiqué dans la figure 4, jusqu'à ce que de l'huile sans bulles sort de la soupape de purge. Ensuite fermer la soupape de purge.
- Répéter de nouveau toute la procédure afin d'assurer l'absence totale d'air dans le circuit.



3.5.2 Poste de gouvernement double/ vérin unique

- Dévisser manuellement les deux soupapes de purge sur les raccords en T du vérin et porter le vérin jusqu'à la fin de sa course.
- Positionner la bouteille de l'huile près du poste de gouvernement principal (supérieur) suivant les indications indiquées précédemment.



⚠ AVERTISSEMENT

Attendre que l'huile atteigne le réservoir inférieur et que les deux réservoirs soient remplis.

- Suivre la procédure de purge indiquée au paragraphe 3.5 en partant du poste de gouvernement inférieur et la répéter en agissant sur le poste de gouvernement supérieur.

⚠ AVERTISSEMENT

Pour le réservoir du poste de gouvernement supplémentaire (inférieur) utiliser exclusivement le bouchon sans trou d'évent (fourni avec le "kit 120U-2S"). Pour le réservoir du poste de gouvernement principal (supérieur) utiliser exclusivement le bouchon avec le trou d'évent.

- Répéter au moins 3 fois toute la procédure afin d'assurer l'absence totale d'air à l'intérieur du circuit.

3.6 Recommandation générale

⚠ AVERTISSEMENT

Il est très important de vérifier que l'air sorte complètement du système avant d'utiliser le bateau! On conseille d'essayer de déplacer manuellement le / les moteur /s vers bâbord et tribord, en faisant attention tous mouvements du corps du vérin sur sa tige.

Si le corps du vérin se déplace de plus d'1/6 de pouce (15mm), de l'air à purger sera encore dans le système. La présence d'air dans le système peut causer des réponses incorrectes aux manœuvres, avec risque d'endommagement, de lésion ou de mort.



4 AVERTISSEMENTS DE SECURITE

Cette section décrit les normes de sécurité à suivre pour utiliser correctement l'appareillage. On recommande de lire cette section avec beaucoup d'attention. On recommande aussi de lire les manuels fournis avec les autres composants du système de gouvernement.

4.1 Normes de sécurité pendant l'installation et l'emploi

RESPECTER RIGOREUSEMENT les précautions et les critères de sécurité indiqués ci-dessous. La Société **ULTRAFLEX** décline toute responsabilité au cas où l'utilisateur ne les respecterait pas; elle n'est pas non plus responsable pour tout type de négligence commise pendant l'emploi du système.

DANGER

- **NE PAS INSERER LES MAINS ENTRE LES ORGANES EN MOUVEMENT.**
- Ne pas désactiver ou déconnecter les dispositifs de sécurité.
- Ne pas modifier ou ajouter n'importe quel dispositif au système, sans autorisation écrite ou intervention technique de la Société **ULTRAFLEX** qui atteste dans la description de l'intervention la modification effectuée.
- Ne pas utiliser l'appareillage pour un but différent de celui auquel il a été destiné et qui est spécifié dans le manuel d'installation et d'entretien.
- Ne pas faire exécuter l'installation par du personnel pas spécialisé.
- Ne pas désassembler les connexions hydrauliques sans avoir déchargé complètement l'huile du système. Les tuyaux peuvent contenir de l'huile à pression.

AVERTISSEMENT

- Ne pas monter sur le vérin.
- Après avoir installé et purgé le système, effectuer un contrôle avant de commencer la navigation. Tourner le volant jusqu'au point de fin de course du vérin ou les vérins installés atteignent le fin de course.
Répéter la manoeuvre en tournant le volant dans la direction opposée. Répéter l'opération avec tous les gouvernails installés afin d'assurer qu'ils soient installés correctement et que le système fonctionne bien.
- Faire très attention pendant l'application du produit bloquant (type Loctite). S'il atteint le système hydraulique, il cause des dommages et des ruptures.
- Pour sceller les raccords, ne jamais utiliser du ruban en téflon ou n'importe quel type de ruban adhésif qui pourrait être aspiré par le système et l'endommager irréparablement.
- Pendant l'installation du système, faire très attention à nettoyer soigneusement, pour éviter la pénétration de n'importe quel corps étranger dans le système lui-même. Même un objet très petit pourrait causer des dommages permanents qui ne sont pas détectés immédiatement.
- Eviter tout rayon de courbure trop étroit des tuyaux.
- Eviter le contact des tuyaux avec des bords ou des arêtes de coupe.
- Eviter le contact des tuyaux avec des sources de chaleur.

4.2 Habillement

AVERTISSEMENT

Pendant les phases d'installation, inspection ou entretien, **IL EST RIGOREUSEMENT INTERDIT** de porter de colliers, de bracelets ou de vêtements qui pourraient s'engager dans les parties en mouvement.



5 ENTRETIEN

5.1 Entretien ordinaire

⚠ AVERTISSEMENT

La non-observation des contrôles d'entretien peut causer la perte de guidage avec des dommages matériels et/ou des lésions personnelles.

Les conditions requises pour l'entretien varient selon le climat, la fréquence et le mode d'emploi. Des inspections au moins annuelles sont nécessaires; elles doivent être effectuées par un mécanicien nautique spécialisé. Il faut contrôler les raccords et l'état des joints du vérin et de la pompe, afin de prévenir toute sorte de fuite; les remplacer si nécessaire.

Pour maintenir un niveau adéquat d'huile dans le réservoir remplir et purger le système comme indiqué dans le manuel au paragraphe 3.5. Tous les six mois contrôler l'usure des tuyaux et de tout le système, la fixation des écrous et des boulons et s'assurer qu'ils soient parfaitement intacts.

Nettoyer le système avec de l'eau et du savon pas abrasif.

⚠ AVERTISSEMENT

Utiliser exclusivement des huiles hydrauliques compatibles, indiquées au paragraphe "caractéristiques techniques" et "remplissage et purge". Ne jamais utiliser d'huiles pour freins ou de fluides pour transmissions automatiques (ATF).

5.2 Recherche des pannes

⚠ AVERTISSEMENT

Toutes les fois que les contrôles suivants nécessitent du désassemblage des composants du système de gouvernement, il faut demander l'intervention du personnel qualifié. La Société **ULTRAFLEX** offre des indications générales et décline donc toute responsabilité pour les informations et les conséquences dérivant d'un désassemblage incorrect.

PROBLEME	CAUSE POSSIBLE	INTERVENTION
La direction est bloquée pendant la phase de remplissage.	<ul style="list-style-type: none"> Blocage dans les tuyaux entre la pompe et le vérin. 	<ul style="list-style-type: none"> Remplacer les tuyaux. <p>⚠ AVERTISSEMENT Le tuyau endommagé doit être remplacé. S'il n'est pas remplacé, cela peut causer la perte de contrôle et provoquer des lésions personnelles graves ou des dommages aux biens.</p>
Il est difficile de remplir le système. L'air gargouille dans la partie supérieure du réservoir de la pompe même après avoir rempli totalement le système.	<ul style="list-style-type: none"> Air dans le système. 	<ul style="list-style-type: none"> Répéter la procédure de remplissage et de purge du système. Installer les tuyaux horizontalement et en tout cas avec une inclinaison maximum d'environ 3cm par mètre.
	<ul style="list-style-type: none"> Pertes depuis un raccord de purge du vérin. 	<ul style="list-style-type: none"> Fermer à fond le raccord de purge sur le vérin.
	<ul style="list-style-type: none"> Tuyau enroulé. 	<ul style="list-style-type: none"> Dérouler et redresser le tuyau.
La direction est rigide et difficile à manoeuvrer, même quand le bateau est à l'arrêt.	<ul style="list-style-type: none"> Rétrécissement dans les tuyaux ou dans les raccords. 	<ul style="list-style-type: none"> Chercher le rétrécissement et l'éliminer.
	<ul style="list-style-type: none"> Air dans l'huile. 	<ul style="list-style-type: none"> Répéter la procédure de remplissage et de purge du système.



<p>La direction est rigide et difficile à manoeuvrer, même quand le bateau est à l'arrêt.</p>	<ul style="list-style-type: none"> • Emploi incorrect de l'huile. 	<ul style="list-style-type: none"> • Décharger immédiatement le système de remplissage et de purge. <p>⚠ AVERTISSEMENT</p> <p>La Société ULTRAFLEX décline toute responsabilité et la garantie est automatiquement annulée en cas de dommages causés par l'emploi de fluides différents de ceux qui sont recommandés dans ce manuel.</p>
<p>La direction est rigide et difficile à manoeuvrer, même quand le bateau est à l'arrêt, si l'on utilise des vérins non équilibrés.</p>	<ul style="list-style-type: none"> • Saleté dans la soupape. 	<p>⚠ AVERTISSEMENT</p> <p>Ne pas utiliser le bateau et demander l'intervention d'un technicien spécialisé pour le nettoyage de la soupape.</p>
<p>La direction se manoeuvre facilement dans le quai, mais elle est rigide quand le bateau est en mouvement.</p>	<ul style="list-style-type: none"> • Le volant est trop petit. 	<ul style="list-style-type: none"> • Remplacer le volant avec un volant plus grand. <p>⚠ AVERTISSEMENT</p> <p>Seulement dans les dimensions maximum admises par la direction hydraulique.</p>
	<ul style="list-style-type: none"> • Le réglage du correcteur de stabilité est incorrect. 	<ul style="list-style-type: none"> • Régler le correcteur de stabilité.
	<ul style="list-style-type: none"> • Air dans l'huile. 	<ul style="list-style-type: none"> • Contrôler le niveau de l'huile et répéter la procédure de purge comme indiqué dans le manuel.
<p>Lorsqu'on tourne le volant, la tige (vérins à tige mobile) ou le corps (vérins à tige fixe) du vérin ne se déplacent pas.</p>	<ul style="list-style-type: none"> • Air dans le système. 	<ul style="list-style-type: none"> • Répéter la procédure de remplissage et de purge du système.
	<ul style="list-style-type: none"> • Perte d'huile. 	<ul style="list-style-type: none"> • Chercher la perte et s'adresser à du personnel qualifié.
	<ul style="list-style-type: none"> • Pompe assemblée avec le trou de remplissage en position basse. 	<ul style="list-style-type: none"> • Assembler la pompe avec le trou de remplissage en position haute.
<p>Pertes d'huile des raccords de la direction hydraulique.</p>	<ul style="list-style-type: none"> • Raccords mal vissés ou avec couple de serrage insuffisant. 	<ul style="list-style-type: none"> • Serrer les raccords. Appliquer un couple maximum de 20Nm (15 in.lbs).
	<ul style="list-style-type: none"> • Manque de produit scellant pour les raccords. <p>⚠ AVERTISSEMENT</p> <p>Pour sceller les raccords ne jamais utiliser du ruban en téflon ou du ruban adhésif.</p>	<ul style="list-style-type: none"> • Vider le système et le désassembler. Enlever les raccords et nettoyer les filetages de l'huile. Positionner le produit scellant, visser les raccords, installer la pompe. <p>⚠ AVERTISSEMENT</p> <p>Cette opération terminée, il faut effectuer la purge à nouveau.</p>
<p>Pertes d'huile du bouchon du réservoir.</p>	<ul style="list-style-type: none"> • Bouchon mal vissé. 	<ul style="list-style-type: none"> • Visser le bouchon.
	<ul style="list-style-type: none"> • Bouchon avec évent (noir) placé sur la pompe supplémentaire positionnée en bas. 	<ul style="list-style-type: none"> • Remplacer le bouchon avec évent (noir) avec le bouchon pour kit boîte de direction supplémentaire (argent).
	<ul style="list-style-type: none"> • Joint usée ou endommagée. 	<ul style="list-style-type: none"> • Remplacer le bouchon.
	<ul style="list-style-type: none"> • Niveau de l'huile trop haut. 	<ul style="list-style-type: none"> • Suivre la procédure de maintien niveau huile décrite dans le manuel de la pompe.



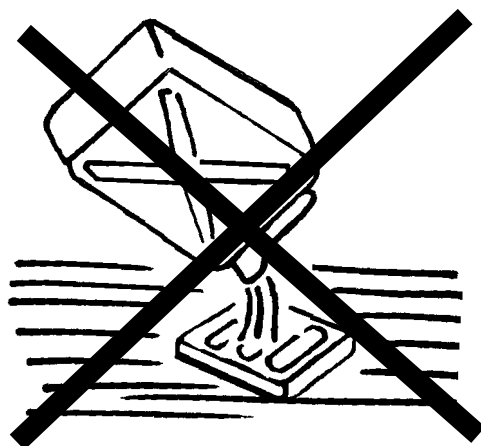
6 DEMOLITION

6.1 Démolition

Si la machine doit être mise hors service pour quelques raisons que ce soit, les règles fondamentales suivantes doivent être observées pour la protection de l'environnement.

Gaines, conduits flexibles, composants de matériel plastique ou non métalliques, devront être désassemblés et éliminés séparément.

*Le système de conduite CONTIENT DES HUILES POLLUANTES
qui devront être éliminées selon les normes en vigueur.*





ULTRAFLEX S.p.A.

16015 Casella (Genova) Italia - Via Crose, 2

