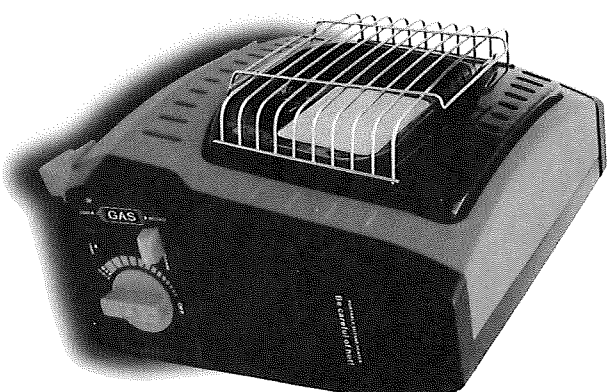




USER'S MANUAL

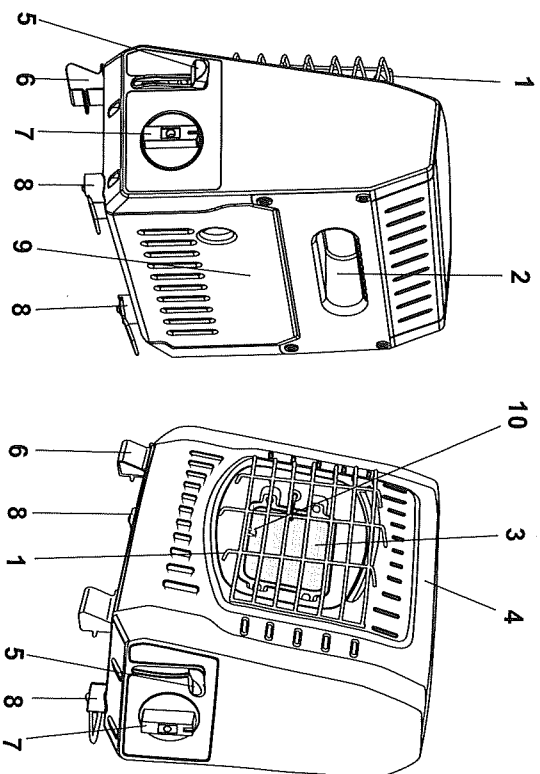
PORTABLE BUTANE GAS HEATER



QNG-181-A with ODS

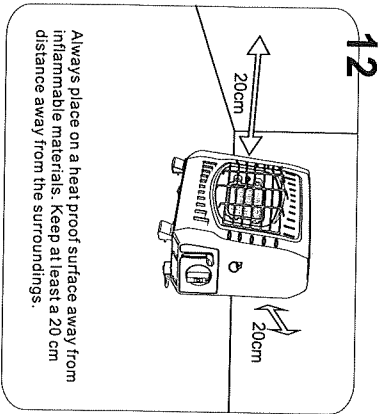
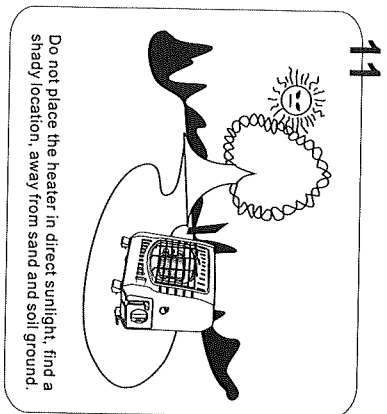
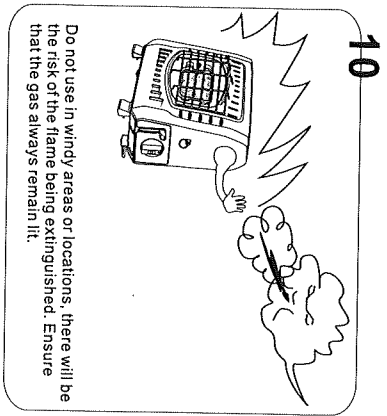
Please read the instructions before operating the appliance. Retain the manual for future reference.

PARTS LIST



- | | | |
|---|------------------------------|----|
| 1 Wire Frame | 7 Control Knob | 12 |
| 2 Handle | 8 Rear Foot | 11 |
| 3 Ceramic Slate | 9 Cartridge Cover | |
| 4 Panel | 10 Oxygen distinguish device | |
| 5 Cartridge level button (Load → Release) | 11 Gas Cartridge | |
| 6 Front Foot | 12 Notch | |

Notes: The gas cartridge is not included and is required to be purchased separately.



NOTE: The gas heater is suitable for various outdoor activities.

ATTENTION:

- (1) Please complete the ignition process in two seconds. Do not do the ignition process for more than three seconds, as it may cause a gas leakage and the flame may be emitted from the heater.
- (2) When the gas cartridge is directly under the sun's radiation, or in high temperature conditions, it will lead to the gas inside to expand and the cartridge will be under pressure. The safety device of the heater will stop the operation. If this happens, please cool down the gas cartridge and reset.
- (3) If using the non-standard gas cartridge, it will cause the heater to fail to operate.