

Automatic Pressure Pump

POWER

High flow rates at a variety of outlets
Smooth Constant Flow
Self Priming Up To 3m (10ft)

PERFORMANCE

Quiet Operation
Automatic Operation - Plug 'n' Play
Easy Installation - Suitable For 15mm Quick Connect Plumbing or ½" threaded hose connections
Suitable For Use With Salt or Fresh Water

PLUS PROTECTION

Fully Sealed Protective Motor Housing
Completely Integrated Electronics
IP65 Rated - No Water Ingress
Runs Dry Without Damage
Includes strainer to protect pump from debris



Product Code	FW0814	FW1214	FW1215	FW1225
Open Flow Rate (per min)	8ltrs (2.0 US GPM)	11.5 ltrs (3.0 US GPM)		
Number of Outlets	1 - 2 outlets	3 - 4 outlets		
Voltage	12 V d.c.			24 V d.c.
Max. System Pressure	2 bar (30psi)		3 bar (45psi)	
Hose Connections	Whale® Quick Connect 15mm Female Connections 2 x ½" Threaded Connectors and 2 x ½" Barbed Connectors included			
Recommended Fuse Size	5 Amp Automotive	7.5 Amp Automotive	7.5 Amp Automotive	5 Amp Automotive
Current Draw	4 amps	6 amps	6 amps	3.5 amps
Weight	3.3lbs			



POWER

High flow rates at a variety of outlets
 Self Priming Up To 3m (10ft)
 Smooth Constant Flow



PERFORMANCE

Quiet Operation
 Automatic Operation - Plug 'n' Play
 Easy Installation - Suitable For 15mm Quick
 Connect Plumbing or ½" threaded hose connections
 Suitable For Use With Salt or Fresh Water

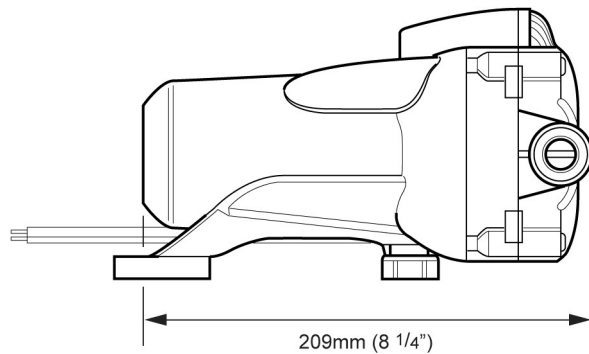
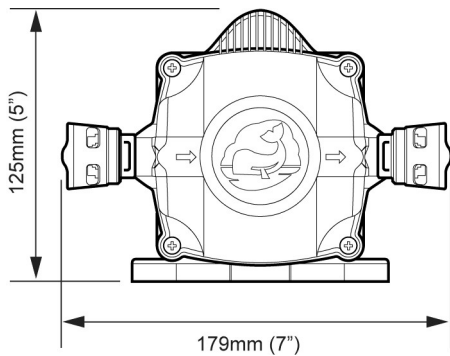
PLUS

PROTECTION



Fully Sealed Protective Motor Housing
 Completely Integrated Electronics
 IP65 Rated - No Water Ingress
 Runs Dry Without Damage

Includes strainer to protect pump from debris



Typical Installation

